

## Front Drop Side ATV Rack (AV109)

Yukon Tracks offers a full line of Engineered Outdoor Gear. We appreciate your purchase of one of our world class ATV Racks. Follow these few simple instructions and your product will be sure to give you many years of trouble free pleasure. Instructions should be kept in a safe place and reviewed at least annually.

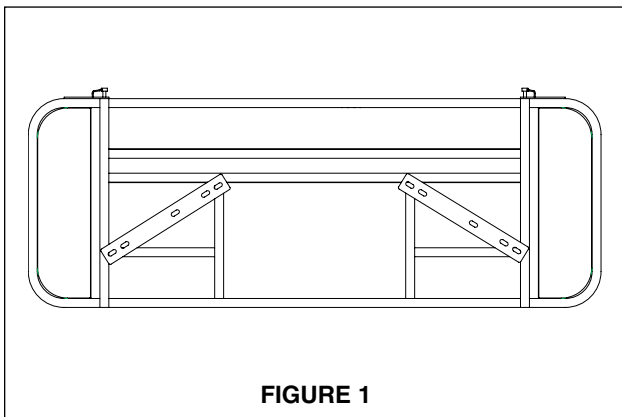
If for any reason you have a problem with your product, **DO NOT return to the retailer**, contact the Yukon Tracks customer service department at 800-345-6007 for assistance.

### ASSEMBLY INSTRUCTIONS:

**NOTE: This ATV Rack was universally designed to fit most brands of ATV's with both steel and plastic racks.**

**NOTE: If attaching to a composite rack, you may need to drill 17/64" (0.266") holes in the composite rack if existing holes do not align with mounting brackets.**

1. With the help of a second person, place the rack on the front end of your ATV and center it as much as possible for proper alignment and balance.
2. Place the provided support bracket flat bars on top of mesh surface and determine the best possible placement. To determine this, both ends of the flat bars must be supported by the square tube frame of the rack, not by the mesh! Flat bars must also be positioned at an angle to deter from shifting or sliding out of place. **SEE FIGURE 1.**
3. Place the remaining flat bars underneath the rack, so that they line up with the flat bars on top. Proceed by inserting one of the provided, various sized 1/4-20 bolts that is long enough to protrude through mating flat bar underneath rack. Do this in at least 2 locations on each flat bar. Use (2) provided 1/4" flat washers and (1) 1/4-20 nyloc nut to temporarily hold in position. **DO NOT tighten bolts at this time!**
4. Proceed by doing the above until all flat bars have at least two attachment locations. Tighten all nuts and bolts and be sure all brackets are supported by the square tube frame of the rack only. **DO NOT over tighten!**
5. This Front ATV Rack features exclusive drop sides, convenient for hauling long objects or game. To use this feature, simply fold drop sides either up or down, align the holes, and place the provided pins through and latch shut.



**FIGURE 1**

Both ends of the flat bars must be supported by the square tube frame of the rack, not by the mesh!

### **WARNING**

**READ, UNDERSTAND AND FOLLOW ALL ASSEMBLY, INSPECTION, MAINTENANCE & USE INSTRUCTIONS PROVIDED BEFORE EACH USE. FAILURE TO FOLLOW ALL WARNINGS AND INSTRUCTIONS COULD RESULT IN SERIOUS INJURY OR DEATH.**

**IF ANY INSTRUCTIONS ARE NOT UNDERSTOOD OR IF YOU HAVE A PARTS ISSUE CALL 800-345-6007 BEFORE USING.**

**BE SURE TO PERIODICALLY CHECK ALL NUT AND BOLTS FOR TIGHTNESS. OVER TIME, NUTS AND BOLTS MAY BECOME LOOSE FROM VIBRATION.**

**BE CERTAIN SPRING PINS ARE LATCHED TO PREVENT ACCIDENTAL REMOVAL.**

**NEVER ALLOW PEOPLE OR PETS TO RIDE IN THIS ATV RACK! IT IS NOT DESIGNED FOR THAT MATTER!**

**NEVER EXCEED THE ATV MANUFACTURERS RECOMMENDED WEIGHT RATINGS FOR RACK LOADING.**

**NEVER DRIVE ON HILLY TERRAIN. EXCESSIVE WEIGHT CAN CAUSE WEIGHT SHIFTS WHICH CAN LEAD TO LOSS OF CONTROL OF YOUR ATV.**

**DO NOT USE EXCESSIVE SPEEDS WHILE USING THIS PRODUCT. EXCESSIVE WEIGHT CAN CAUSE WEIGHT SHIFTS WHICH CAN LEAD TO LOSS OF CONTROL OF YOUR ATV.**

**ALWAYS MOUNT THIS FRONT DROP SIDE ATV RACK TO THE FRONT RACK OF YOUR ATV.**

**USE AS A 4-WHEELED FRONT ATV RACK ONLY.**

**INSPECT BEFORE EACH & EVERY USE TO BE SURE THERE IS NO PRODUCT DAMAGE OR LOOSE/MISSING BOLTS & HARDWARE.**

**NEVER USE A DAMAGED RACK.**

**NEVER USE UNDER THE INFLUENCE OF ALCOHOL OR DRUGS.**

**NEVER USE MORE THAN ONE RIDER AND/OR GEAR ON RACKS OF ATV VEHICLE.**

**NEVER USE CARELESSLY - THINK SAFETY!**

**NEVER MOUNT FRONT DROP SIDE ATV RACK TO THE REAR RACK OF YOUR ATV.**

### **AV109 ATV RACK COMPONENTS**

- 48271 Bolt 1/4-20 x 2-1/4" (4)
- 67540 Bolt 1/4-20 x 2-3/4" (4)
- 48273 Bolt 1/4-20 x 3-1/4" (4)
- 67538 Nyloc nut 1/4-20 (4)
- 48261 Flat washer 1/4" (4)
- A629 Mounting bracket (4)
- 63281 Spring lockpin (2)