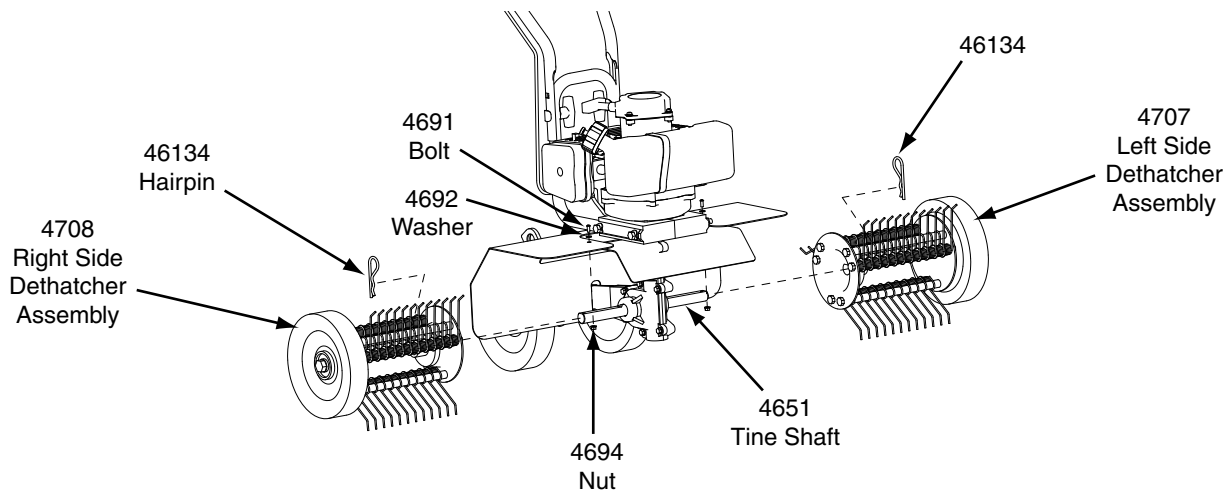


DK43 DETHATCHER KIT INSTALLATION (OPTIONAL ACCESSORY)

The Dethatcher Kit is very effective for lifting away the excessive matted layers of thatch that can prevent moisture, oxygen and nutrients from penetrating the soil and can harbor disease and insects. Use in Spring, Summer, and Fall to bring life and color back to your lawn.

1. Disconnect spark plug wire from spark plug. Remove the cultivating tines (if so equipped). Refer to exploded view below for detailed assembly.
2. Slide the Left and Right Dethatcher Assemblies onto the tine shaft making sure the Right Assembly is installed on the right side and Left Assembly is installed on the left side as defined from the user's position.
3. Secure dethatcher assemblies using the hairpins 46134.
4. Slide dethatcher shield over the unit's tine shield from the rear of the unit and secure using bolts 4694, washers 4692, and nuts 4694.
5. Secure the lower part of the dethatcher shield to the drag stake mount using the detent pin 46145. Re-connect spark plug wire.

NOTE: The drag stake should not be used when using the dethatcher kit.



DK43 Dethatcher Kit
(fits both Models MC43 & MC43E or stand-alone as MD43)

