

Traveler

Ice Shelter Instruction Booklet



Model 69034

IB-69034-04
Rev. 073103

© Copyright 2003 Ardisam, Inc.
All Rights Reserved. Printed in USA.



MAINTENANCE AND WARRANTY

THANK YOU . . .

for purchasing an Eskimo® Ice Shelter from Ardisam, Inc. With proper care, your ice shelter will provide many years of service. Please take the time to read this booklet carefully to learn how to correctly assemble your ice shelter. Congratulations on your investment in quality.

SAFETY & MAINTENANCE INSTRUCTIONS

- Do not use open flame heaters in your ice shelter.
- Due to traffic on lakes, ice fishing can be hazardous at night. If you choose to fish at night or in conditions with poor visibility, be sure to take precautions.
- Never leave the ice shelter unattended.
- Lubricate the slide poles with car wax when necessary. Do not use oil or grease as a lubricant.
- Make sure your Eskimo® shelter is completely dry before storing for long periods of time and store your shelter in a cool, dry place away from rodents.

Please fully understand all assembly, safety, and maintenance instructions outlined in this booklet.

Tools Needed: 7/16" Wrench

1. Attach the assembled poles to the base using (8) 1/4" washers and nuts. The studs welded to the front hinge brackets (68111S3) will attach to the opposite side of the tie-down strap and protrude toward the outside edge of the Traveler base. **NOTE: The upright poles in the shortest position will fold toward the inside of the base. See Figure 1.**
2. Unfold the Traveler canvas and lay it over the base. The seams and velcro tabs should face the inside and the sleeve pocket must be at the front of the base. (Opposite the door and below the window.)
3. Thread the flip down pole (69121) through the sleeve pocket and attach to the studs welded to the front hinge brackets (68111S3) using (2) 1/4" nuts. See Figure 2.

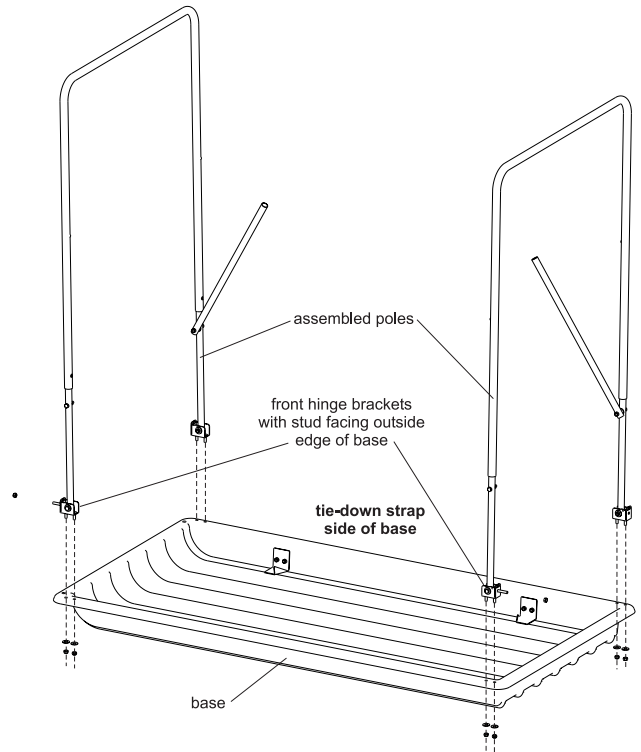


Figure 1

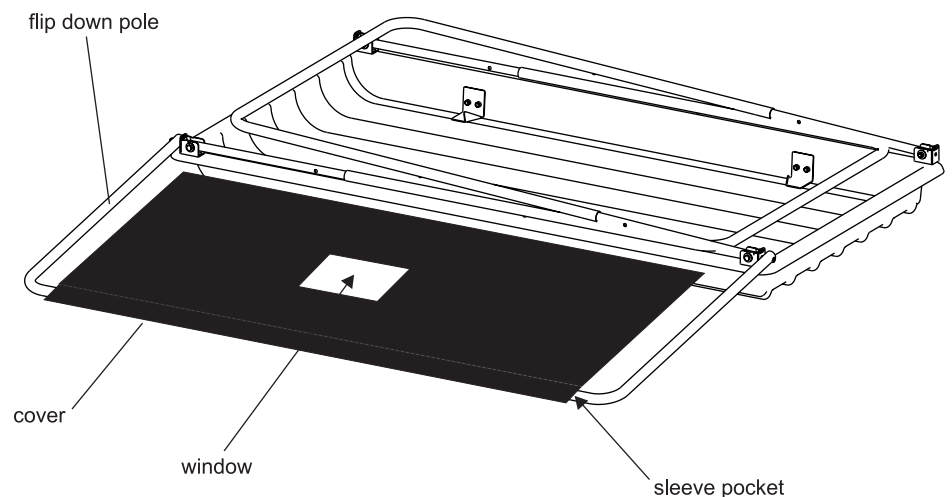


Figure 2

- Step inside the Traveler shelter and extend the upright and top frame poles (69126 & 69119) to their maximum height. Attach (2) cross brace poles (69123) to the top frame poles. See Figure 3.
- Attach (2) front upright poles (69125) to the flip down (69121) and top frame poles (69119). The longest length of the front upright pole (69125) must run perpendicular to the flip down pole. See Figure 3. Attach (1) cross brace pole (69123) to the tops of the (2) front upright poles (69125). See Figure 3.
- Insert the (2) support legs (69129) that are attached to the upright poles into the support leg stops (69131) on the base. See Figure 3.
- Attach the velcro tabs inside the canvas as needed.

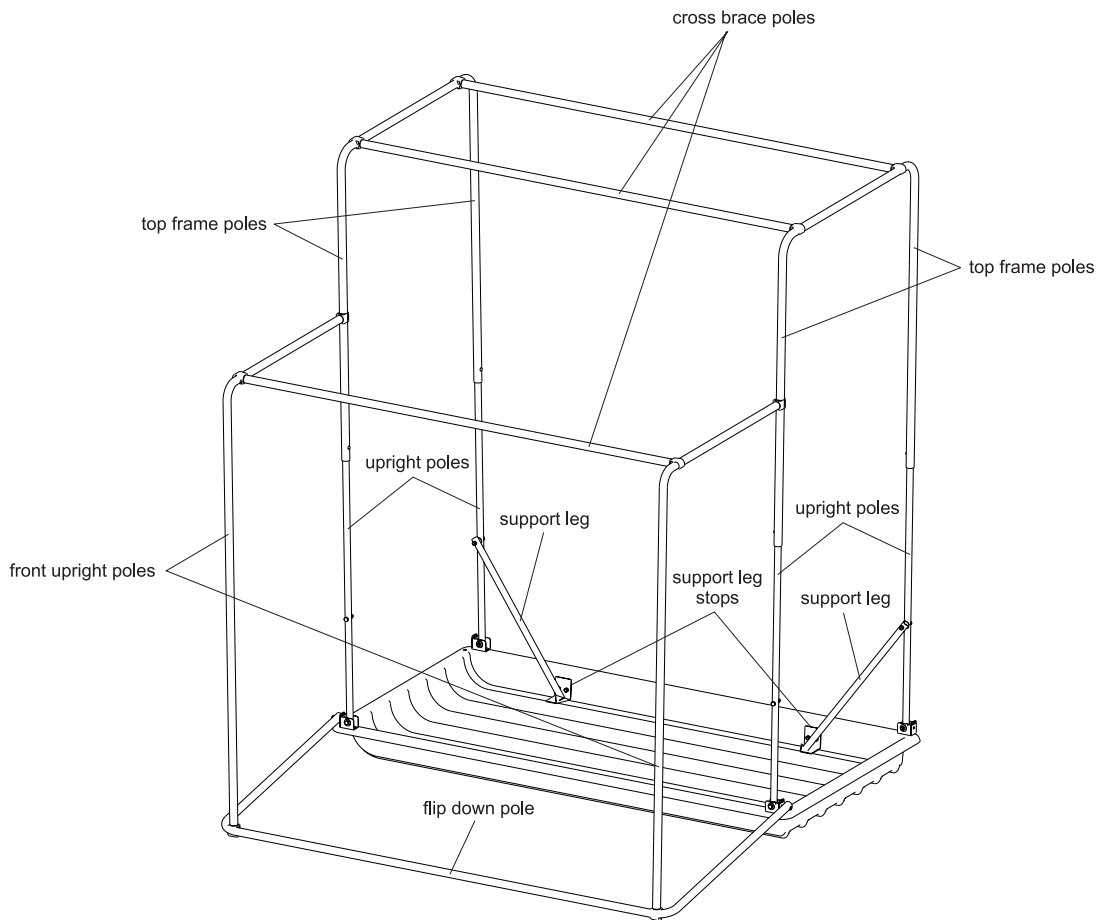
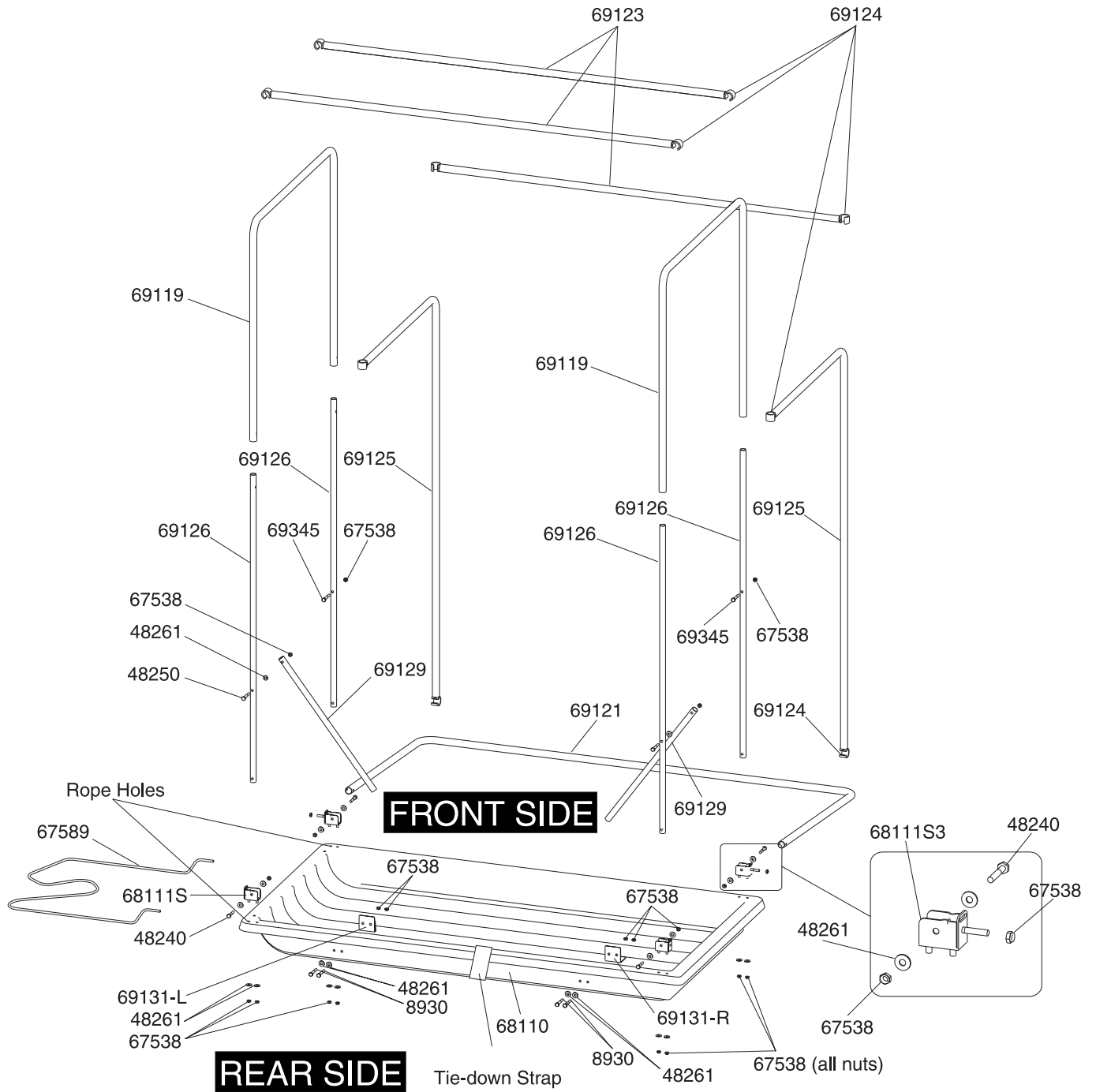


Figure 3



<u>Part No.</u>	<u>Description</u>	<u>Qty.</u>	<u>Part No.</u>	<u>Description</u>	<u>Qty.</u>
8930	Bolt, 1/4-20 x 3/4"	4	69121	Flip Down Pole	1
48240	Bolt, 1/4-20 x 1-1/2"	4	69122	Canvas (Not Shown)	1
48250	Bolt, 1/4-20 x 1-3/4"	2	69123	Cross Brace Pole	3
48261	Flat Washer, 1/4"	22	69124	Clip	10
67538	Nyloc Nut, 1/4-20	20	69125	Front Upright Pole	2
67589	Tow Rope, 8 Ft.	1	69126	Upright Pole	4
68110	Traveler Base	1	69129	Support Leg	2
68111S	Rear Hinge Bracket, 2-stud	2	69131-L	Support Leg Stop, Left	1
68111S3	Front Hinge Bracket, 3-stud	2	69131-R	Support Leg Stop, Right	1
69119	Top Side Frame Pole	2	69345	Bolt, 1/4-20 x 1"	2



WARRANTY

One Year Limited Warranty

The Ardisam, Inc., Manufacturing Company warrants this Eskimo® Ice Shelter to be free from defects in material or workmanship. Conditions of this warranty include:

What is covered under warranty:

Ardisam, Inc. will repair or replace any part defective in workmanship or material within one year after delivery of the ice shelter to the original purchaser.

What is not covered under warranty:

This warranty applies only to products which have not been repaired or altered outside our factory. It does not cover cracked windows, tent tears, or bent poles due to high wind conditions or unattended use. This warranty applies only to the original purchaser, and is not transferrable.

How to obtain service:

Return the product to us at the address below with transportation charges prepaid.

This warranty supersedes all other warranties either expressed or implied and all other obligations or liabilities on our part. Ardisam, Inc., does not assume, and does not authorize any other person to assume for us, any liability in connection with the sale of our products. This guarantee is void unless warranty card is properly filled out and returned to Ardisam, Inc., Cumberland, Wisconsin, at time of purchase.



Ardisam, Inc.
1360 1st Avenue, Cumberland, WI 54829
Phone (715) 822-2415 Fax (715) 822-4180
Email info@ardisam.com
www.ardisam.com



Ardisam, Inc.
1360 1st Avenue, Cumberland, Wisconsin 54829
(715)822-2415 • Fax (715)822-4180
www.ardisam.com