



# Ice Shelter Instruction Booklet



## Models

**69036 Quickflip II Deluxe**  
**69038 Quickflip II Express**





## MAINTENANCE

---

### **THANK YOU . . .**

*for purchasing an Eskimo® Ice Shelter from Ardisam, Inc. With proper care, your ice shelter will provide many years of service. Please take the time to read this booklet carefully to learn how to correctly assemble your ice shelter. Congratulations on your investment in quality.*

### **SAFETY & MAINTENANCE INSTRUCTIONS**

- Do not use open flame heaters in your ice shelter.
- Due to traffic on lakes, ice fishing can be hazardous at night. If you choose to fish at night or in conditions with poor visibility, be sure to take precautions.
- Never leave the ice shelter unattended.
- Lubricate the slide poles with car wax when necessary. Do not use oil or grease as a lubricant.
- Make sure your Eskimo® shelter is completely dry before storing for long periods of time and store your shelter in a cool, dry place away from rodents.



# QUICKFLIP II ASSEMBLY INSTRUCTIONS

Please fully understand all assembly, safety, and maintenance instructions outlined in this booklet.

## Tools Needed: (2) 7/16" Wrenches and (1) Phillips Screwdriver

1. Attach sled support bar (69677) and left hinge assembly to the upper lip of sled using (4) 1/4" x 7/8" bolts, washers, & nuts. Tighten. See Figure 1. Repeat for other side.

**NOTE: High side of brackets must be placed towards front of base with mounted poles to the inside.**

2. Insert (3) upright poles (69652) from each side into the (3) top brace poles (69616). Slide poles in, to their shortest height. See Figure 2.

**NOTE: Snap buttons (67501) need to be pushed in to allow poles to be slid in, to their shortest height.**

**NOTE: Top brace poles (69616) are taller and wider than the bottom brace pole (69617).**

**CAUTION: If poles are not assembled correctly, added stress will be applied to canvas.**

3. Unfold Quickflip II canvas cover (69690) and locate Eskimo logo. Spread canvas cover over sled and poles with door and logo to the front. Straighten front of canvas cover out flat and fold wind flap up on bottom edge. See Figure 3.
4. Slide bottom cross brace pole (69617) thru pocket sleeve located under the wind flap. Insert ends of pole into each front leg pole (69678). Snap in place. See Figure 3.

**NOTE: Snap button should align with hole in pole on both sides.**

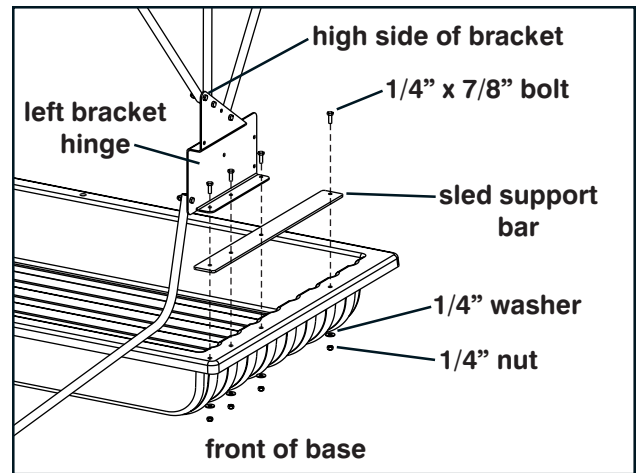


Figure 1

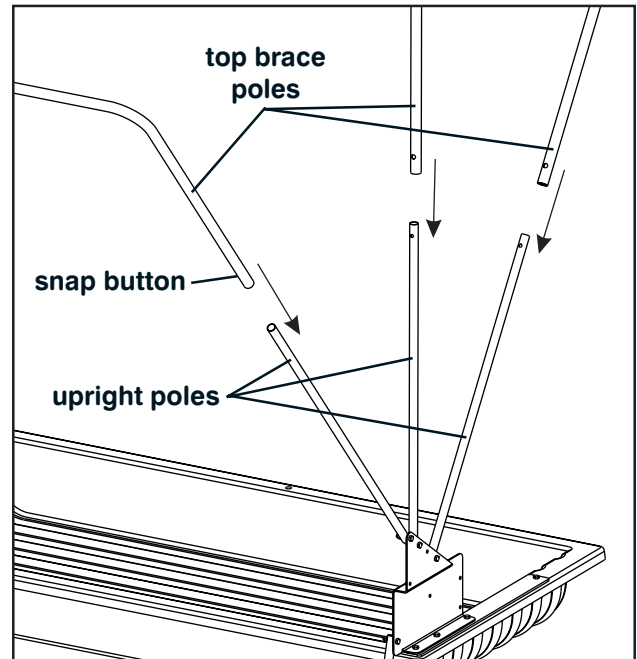


Figure 2



# QUICKFLIP II ASSEMBLY INSTRUCTIONS

5. Move to inside of shelter and extend (3) top brace poles (69616) and snap into place. Attach at least one velcro to each pole. Place back spreader pole (69670), top back spreader pole (69671), top front spreader pole (69672), and door spreader poles (69673) in position. Finish attaching velcros. See Figure 4.

6. Move to outside of the shelter. Find the center of the edge trim and line it up with the center of the shelter, in the back. Pull down on the canvas, over the sled lip, until it is snug.

**NOTE: Do not lift the bottom brace (69617) off the ground.**

Temporarily, press the edge trim over the canvas and sled lip.

7. Secure edge trim in place using (13) #6 x 3/8" sheet metal screws.

**NOTE: Screws should be placed about 10" to 12" apart.**

8. Push ends of 8' tow rope in holes provided at the front of the sled and knot each end to secure.

9. For Quickflip II Deluxe seat assembly, refer to instructions included in Seat Kit (69039) box.

10. **To fold and transport your ice shelter,** retract the poles and fold down. Tuck canvas into the sled and remove canvas from all pinch points.

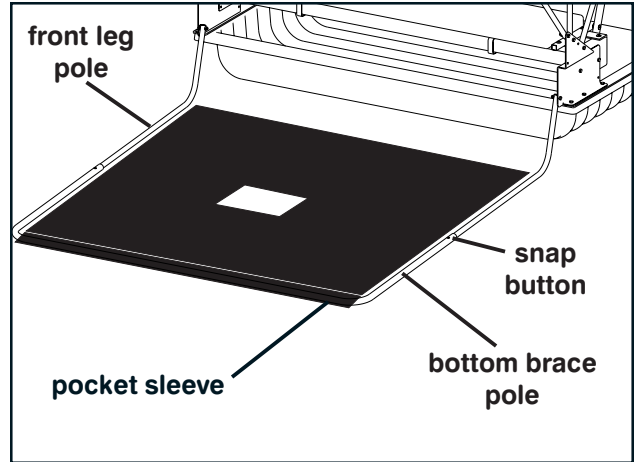
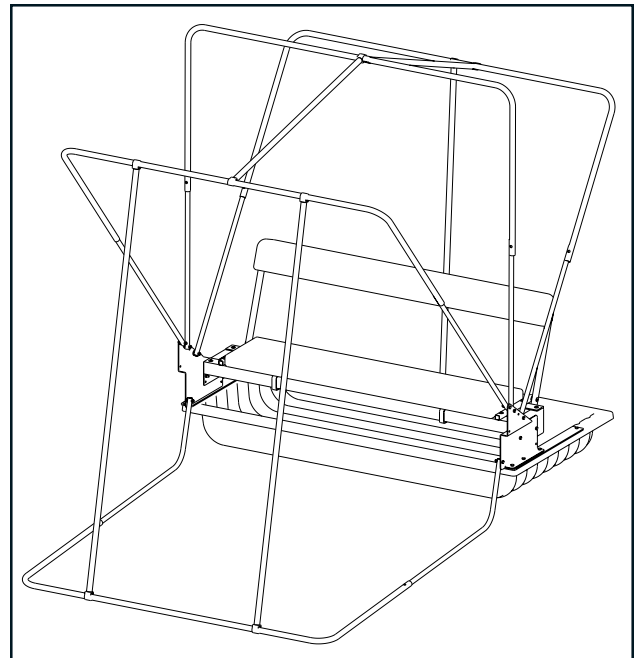


Figure 3

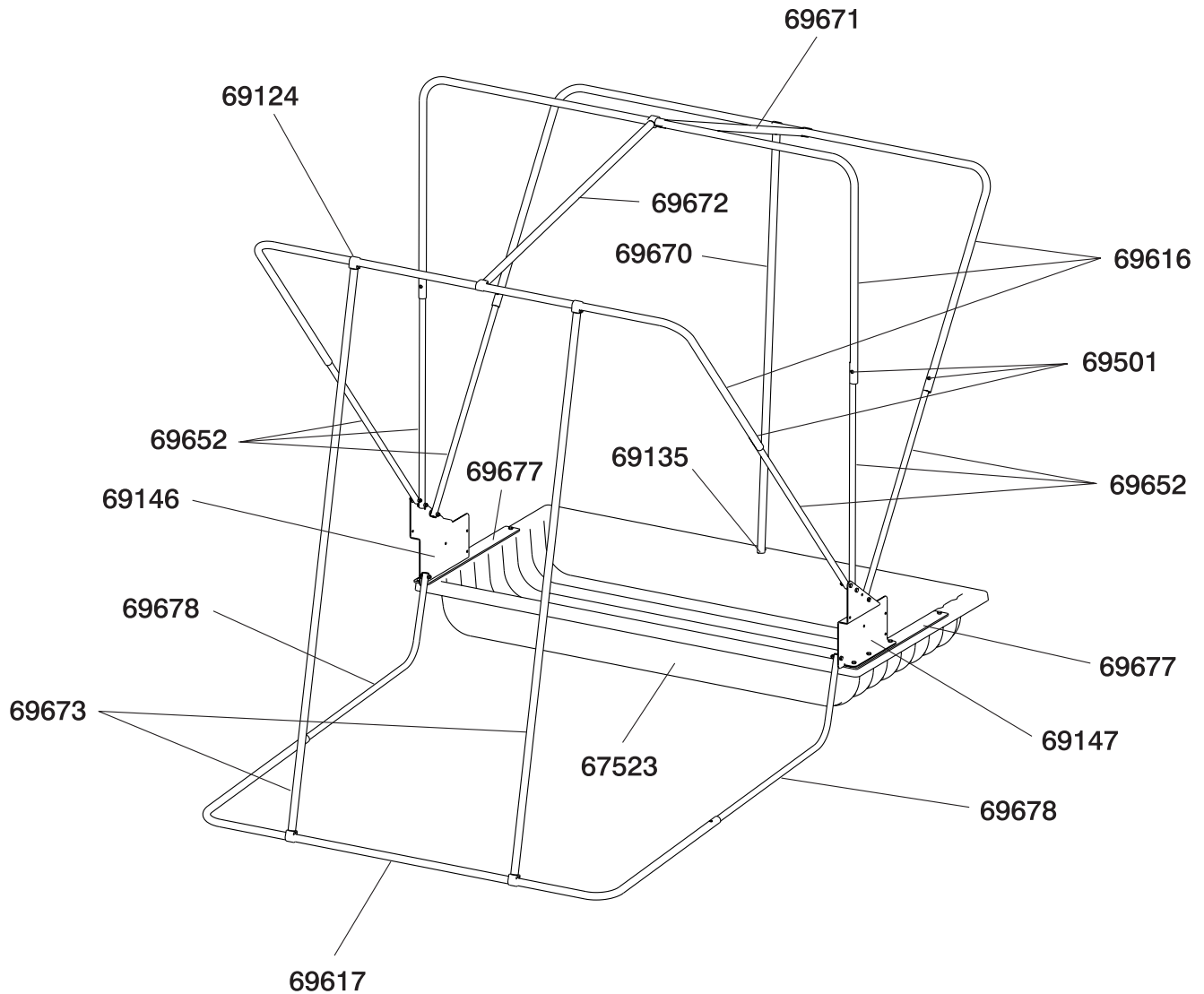


Completed Quickflip II Deluxe



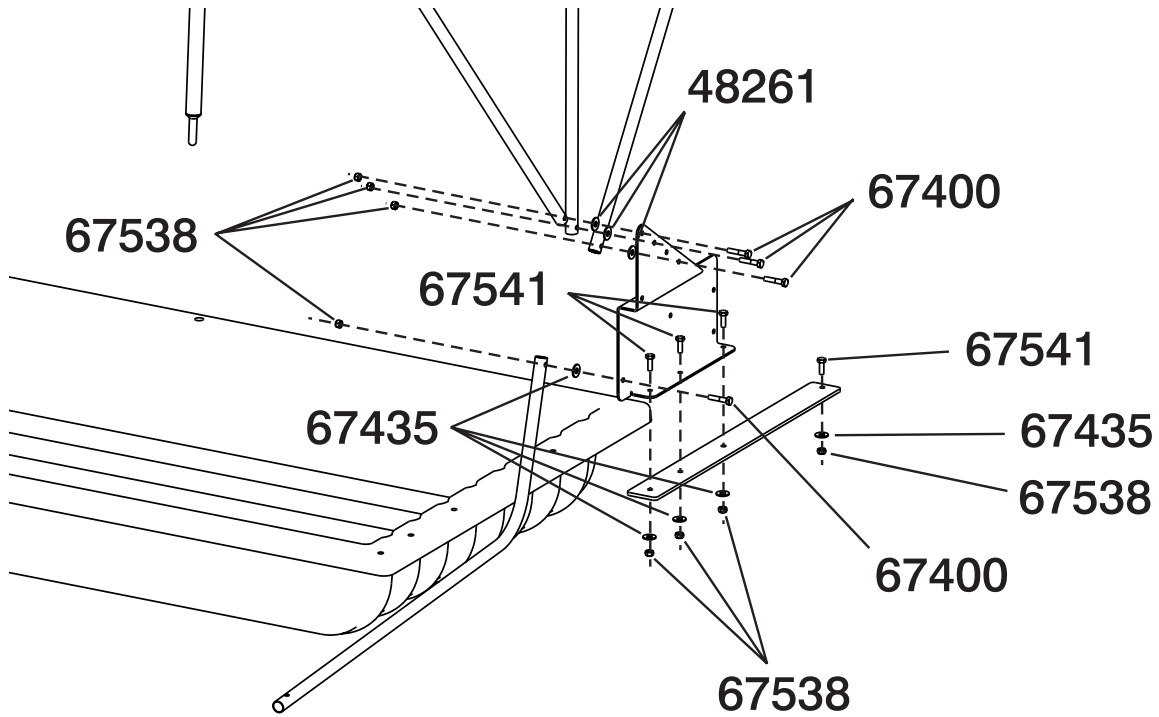
67102 Quickflip II Travel Cover (Optional)  
& 69106 Tow Hitch (Optional)

# QUICKFLIP II PARTS EXPLOSION & PARTS LIST



| <u>Part No.</u> | <u>Description</u>                | <u>Qty.</u> | <u>Part No.</u> | <u>Description</u>           | <u>Qty.</u> |
|-----------------|-----------------------------------|-------------|-----------------|------------------------------|-------------|
| 67501           | Snap Button, 1/4"                 | 8           | 69617           | Bottom Brace Pole            | 1           |
| 67523           | Quickflip II Sled                 | 1           | 69652           | Upright Pole                 | 6           |
| 67589           | Tow Rope (Not Shown)              | 1           | 69654           | Edge Trim (Not Shown)        | 1           |
| 69124           | Clip, 7/8"                        | 9           | 69660           | Sheet Metal Screw, #6 x 3/8" | 13          |
| 69135           | Nylon Stud                        | 1           | 69670           | Back Spreader Pole           | 1           |
| 69146           | Bracket Hinge, Right              | 1           | 69671           | Top Back Spreader Pole       | 1           |
| 69147           | Bracket Hinge, Left               | 1           | 69672           | Top Front Spreader Pole      | 1           |
| 69531           | Window Replacement, 8" x 12"      | 2           | 69673           | Door Spreader Pole           | 2           |
| 69533           | Window Replacement, 8" x 28.5"    | 1           | 69677           | Sled Support Bar             | 2           |
| 69534           | Window Replacement, 13.5" x 13.5" | 1           | 69678           | Front Leg Pole               | 2           |
| 69616           | Top Brace Pole                    | 3           | 69690           | Canvas (Not Shown)           | 1           |

# QUICKFLIP II PARTS EXPLOSION & PARTS LIST



| <u>Part No.</u> | <u>Description</u>             | <u>Qty.</u> | <u>Part No.</u> | <u>Description</u> | <u>Qty.</u> |
|-----------------|--------------------------------|-------------|-----------------|--------------------|-------------|
| 48261           | Flat Washer, 1/4"              | 8           | 67538           | Nyloc Nut, 1/4"    | 16          |
| 67400           | Bolt-Round Head, 1/4" x 1-1/4" | 8           | 67541           | Bolt, 1/4" x 7/8"  | 8           |
| 67435           | SAE Flat Washer, 1/4"          | 8           |                 |                    |             |

## One Year Limited Warranty

The Ardisam, Inc., Manufacturing Company warrants this Eskimo® Ice Shelter to be free from defects in material or workmanship. Conditions of this warranty include:

**What is covered under warranty:**

Ardisam, Inc. will repair or replace any part defective in workmanship or material within one year after delivery of the ice shelter to the original purchaser.

**What is not covered under warranty:**

This warranty applies only to products which have not been repaired or altered outside our factory. It does not cover cracked windows, tent tears, or bent poles due to high wind conditions or unattended use. This warranty applies only to the original purchaser, and is not transferrable.

**How to obtain service:**

Return the product to us at the address below with transportation charges prepaid.

*This warranty supersedes all other warranties either expressed or implied and all other obligations or liabilities on our part. Ardisam, Inc., does not assume, and does not authorize any other person to assume for us, any liability in connection with the sale of our products. This guarantee is void unless warranty card is properly filled out and returned to Ardisam, Inc., Cumberland, Wisconsin, at time of purchase.*



Ardisam, Inc.  
1360 1st Avenue, Cumberland, Wisconsin 54829  
Phone (715)822-2415 • Fax (715)822-4180  
1-800-345-6007  
Email [info@ardisam.com](mailto:info@ardisam.com)  
[www.ardisam.com](http://www.ardisam.com)