



Ice Shelter Instruction Booklet



Models
69045 Grand Caravan
69046 Grand Caravan Express



INTRODUCTION

THANK YOU . . .

for purchasing an Eskimo® Ice Shelter from Ardisam, Inc. With proper care, your ice shelter will provide many years of service. Please take the time to read this booklet carefully to learn how to correctly assemble your ice shelter. Congratulations on your investment in quality.

SAFETY & MAINTENANCE INSTRUCTIONS

- Do not use open flame heaters in your ice shelter.
- Due to traffic on lakes, ice fishing can be hazardous at night. If you choose to fish at night or in conditions with poor visibility, be sure to take precautions.
- Never leave the ice shelter unattended.
- Lubricate the slide poles with car wax when necessary. Do not use oil or grease as a lubricant.

LONG TERM STORAGE

- Make sure your Eskimo® shelter is completely dry before storing for long periods of time.
- Remove skin from shelter base and poles. Clean all salt, moisture and debris from your shelter skin.
- Store skin in a cool, dry place away from rodents.
- Clean all salt, moisture and debris from the base and poles of your shelter. Wipe down poles with WD-40.
- Store poles and base in a cool, dry place.

NOTE: Before attaching skin for use, re-wipe the poles to remove excess WD-40.



REGISTRATION AND WARRANTY

REGISTRATION

Fill out and mail the registration card located in your parts packet. Warranty is valid only if your completed registration card is received by Ardisam, Inc., at time of purchase.

Model Number _____

Date of Purchase _____

Place of Purchase _____

WARRANTY

One Year Limited Warranty

The Ardisam, Inc., Manufacturing Company warrants this Eskimo® Ice Shelter to be free from defects in material or workmanship. Conditions of this warranty include:

What is covered under warranty:

Ardisam, Inc. will repair or replace any part defective in workmanship or material within one year after delivery of the ice shelter to the original purchaser.

What is not covered under warranty:

This warranty applies only to products which have not been repaired or altered outside our factory. It does not cover cracked windows, tent tears, or bent poles due to high wind conditions or unattended use. This warranty applies only to the original purchaser, and is not transferrable.

How to obtain service:

Return the product to us at the address below with transportation charges prepaid.

This warranty supersedes all other warranties either expressed or implied and all other obligations or liabilities on our part. Ardisam, Inc., does not assume, and does not authorize any other person to assume for us, any liability in connection with the sale of our products.

This guarantee is void unless warranty card is properly filled out and returned to Ardisam, Inc., Cumberland, Wisconsin, at time of purchase.



Ardisam, Inc.
1690 Elm Street, Cumberland, WI 54829
Phone (715) 822-2415 Fax (715) 822-4180
1-800-345-6007
Email info@ardisam.com
www.ardisam.com



GRAND CARAVAN ASSEMBLY INSTRUCTIONS

Please fully understand all assembly, safety, and maintenance instructions outlined in this booklet.

Tools Needed: (2) 7/16" Wrenches and (1) Phillips Screwdriver

1. Attach left hinge assembly to the upper lip of sled using (3) 1/4" x 7/8" bolts, washers, & nuts. Tighten. See Figure 1. Repeat for other side.

NOTE: High side of brackets must be placed towards front of base with mounted poles to the inside.

2. Insert (3) upright poles from each side into the (3) top brace poles (69215). Slide poles in to their shortest height. See Figure 2.

NOTE: Snap buttons (67501) need to be pushed in to allow poles to be slid in to their shortest height.

NOTE: Top brace poles (69215) are taller and wider than the bottom brace pole (69220).

CAUTION: If poles are not assembled correctly, added stress will be applied to canvas.

3. Unfold Grand Caravan canvas (69360) and locate Eskimo logo. Spread cover over sled and poles with door and logo to the front. Straighten front of canvas out flat and fold wind flap up on bottom edge. See Figure 3.

4. Slide bottom brace pole (69220) thru pocket sleeve located under the wind flap. Insert ends of pole into each front leg pole (69210). Snap in place. See Figure 3.

NOTE: Snap button should align with hole in pole on both sides.

5. Extend two sets of door spreader pole tops (69358) and door spreader pole bottoms (69356) and snap in place. See Figure 4.

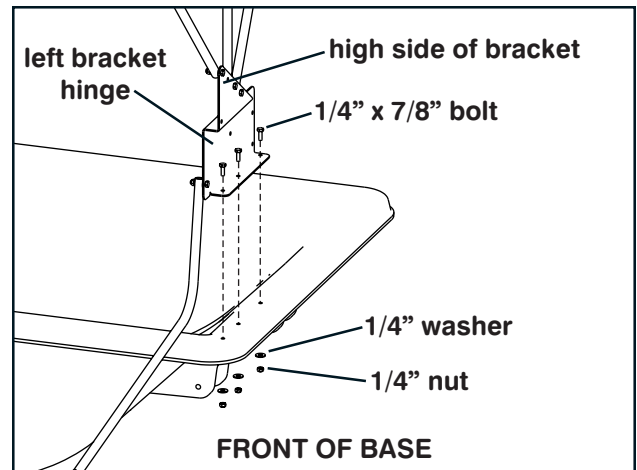


Figure 1

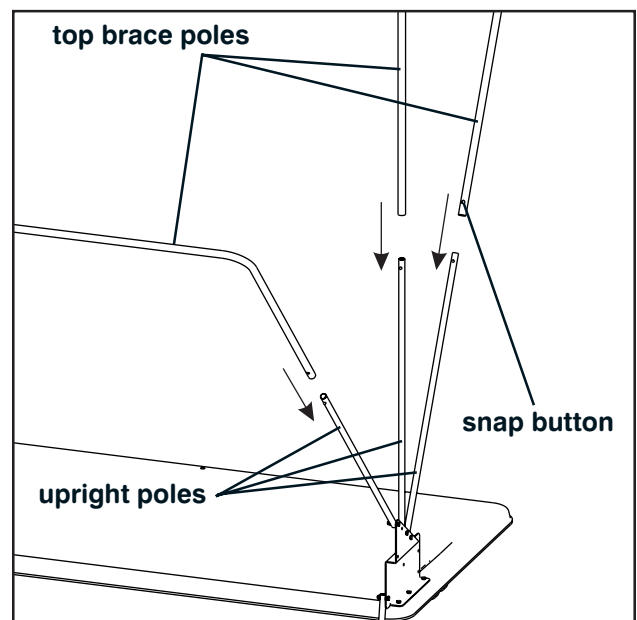


Figure 2

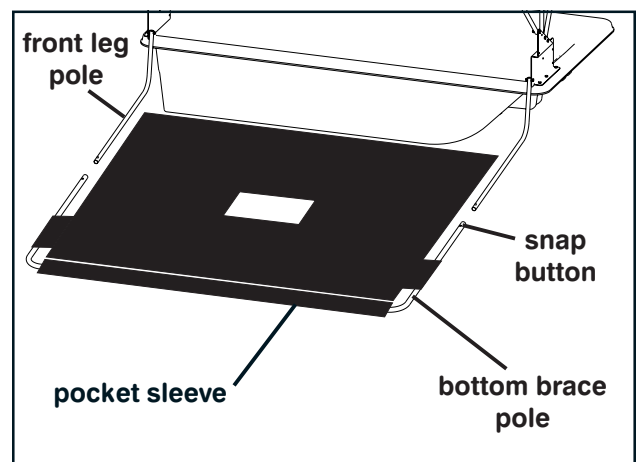


Figure 3



GRAND CARAVAN ASSEMBLY INSTRUCTIONS

6. Move to inside of shelter and extend (3) top brace poles (69215) and snap into place. Attach at least one velcro to each pole. Place back spreader pole (69225), top back spreader pole (69672), top front spreader pole (69235), and door spreader poles in position. Finish attaching velcros. See Figure 5.

7. Move to outside of the shelter. Find the center of the edge trim and line it up with the center of the shelter, in the back. Pull down on the canvas, over the sled lip, until it is snug.

NOTE: Do not lift the bottom brace (69220) off the ground.

Temporarily, press the edge trim over the canvas and sled lip.

8. Secure edge trim in place using (13) #6 x 3/8" sheet metal screws.

NOTE: Screws should be placed about 10" to 12" apart.

9. Push ends of 8' tow rope thru tow hitch tab provided at the front of the sled and knot each end to secure.

10. For Grand Caravan seat assembly, refer to instructions included in Bench Seat Kit (69047) box.

11. **To fold and transport your ice shelter**, remove spreader poles and retract top & bottom brace poles to their shortest height. Fold down poles and tuck canvas into sled, **remove canvas from all pinch points.**

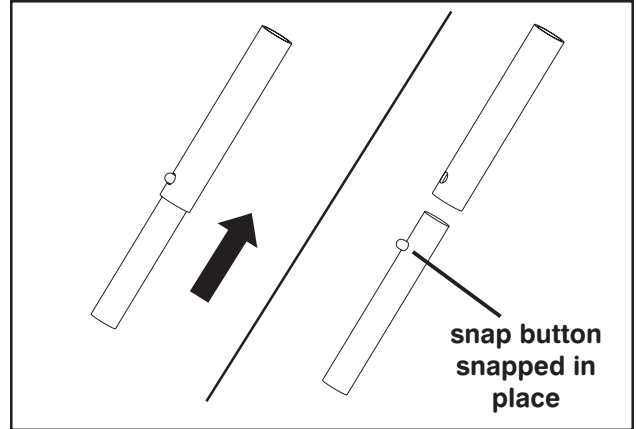


Figure 4

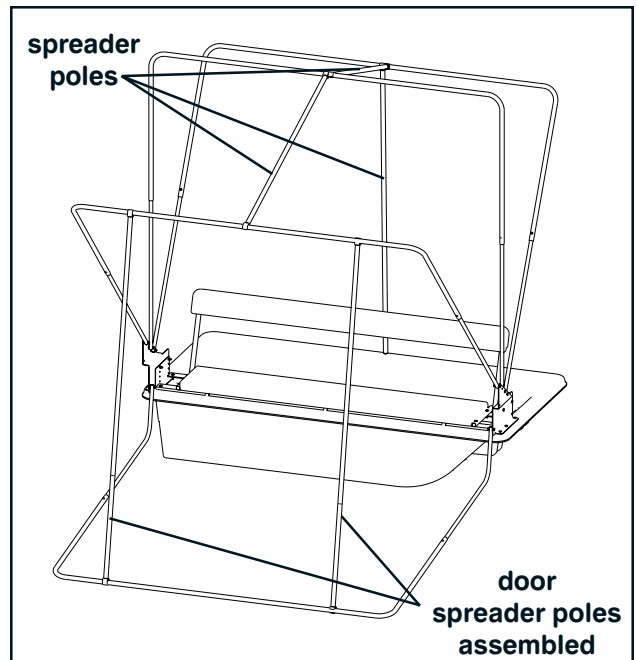


Figure 5
Completed Grand Caravan



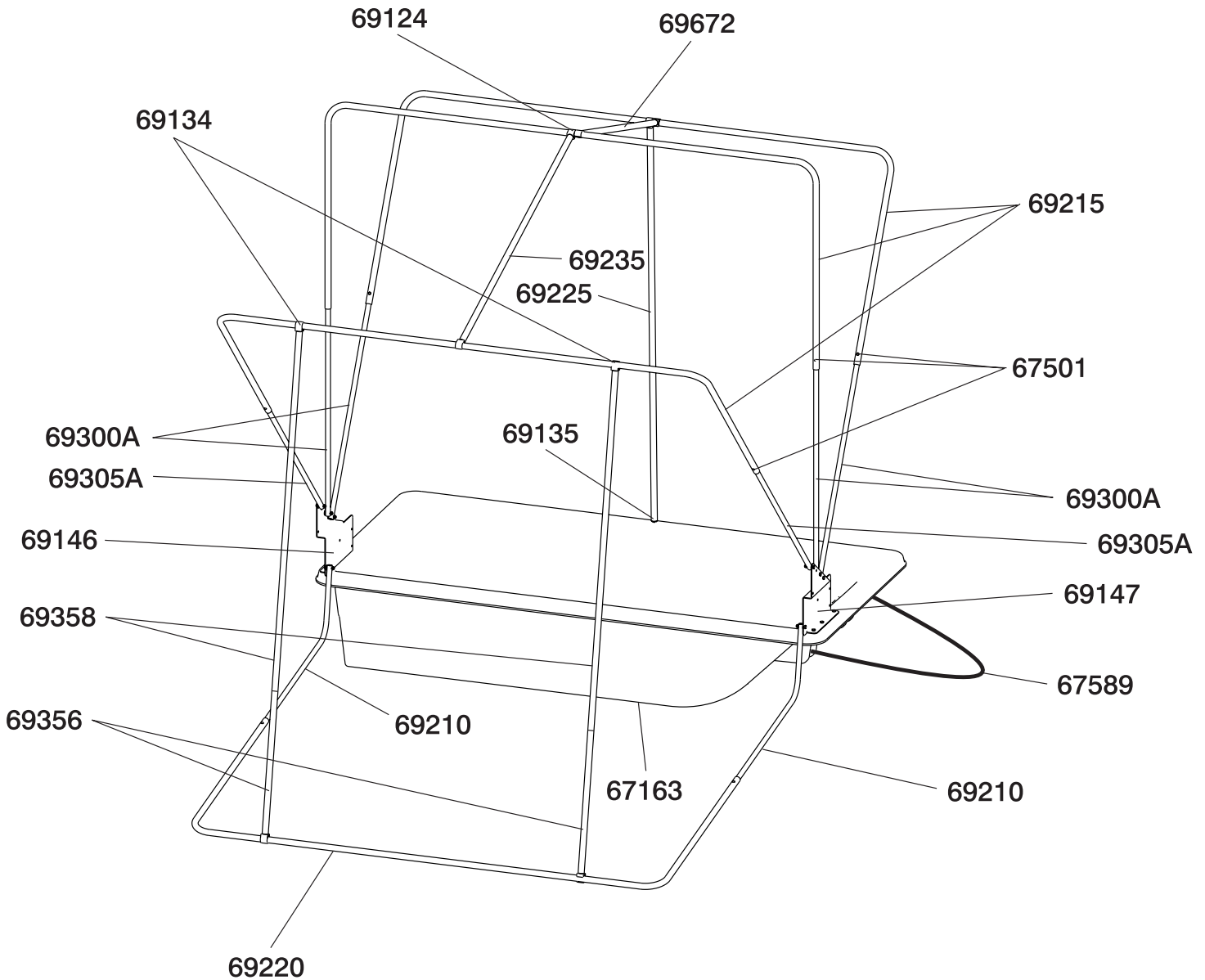
69107 Grand Caravan Travel Cover (Optional)

69104 Tow Hitch (Optional)

69117 High Speed Tracking Kit (Optional)



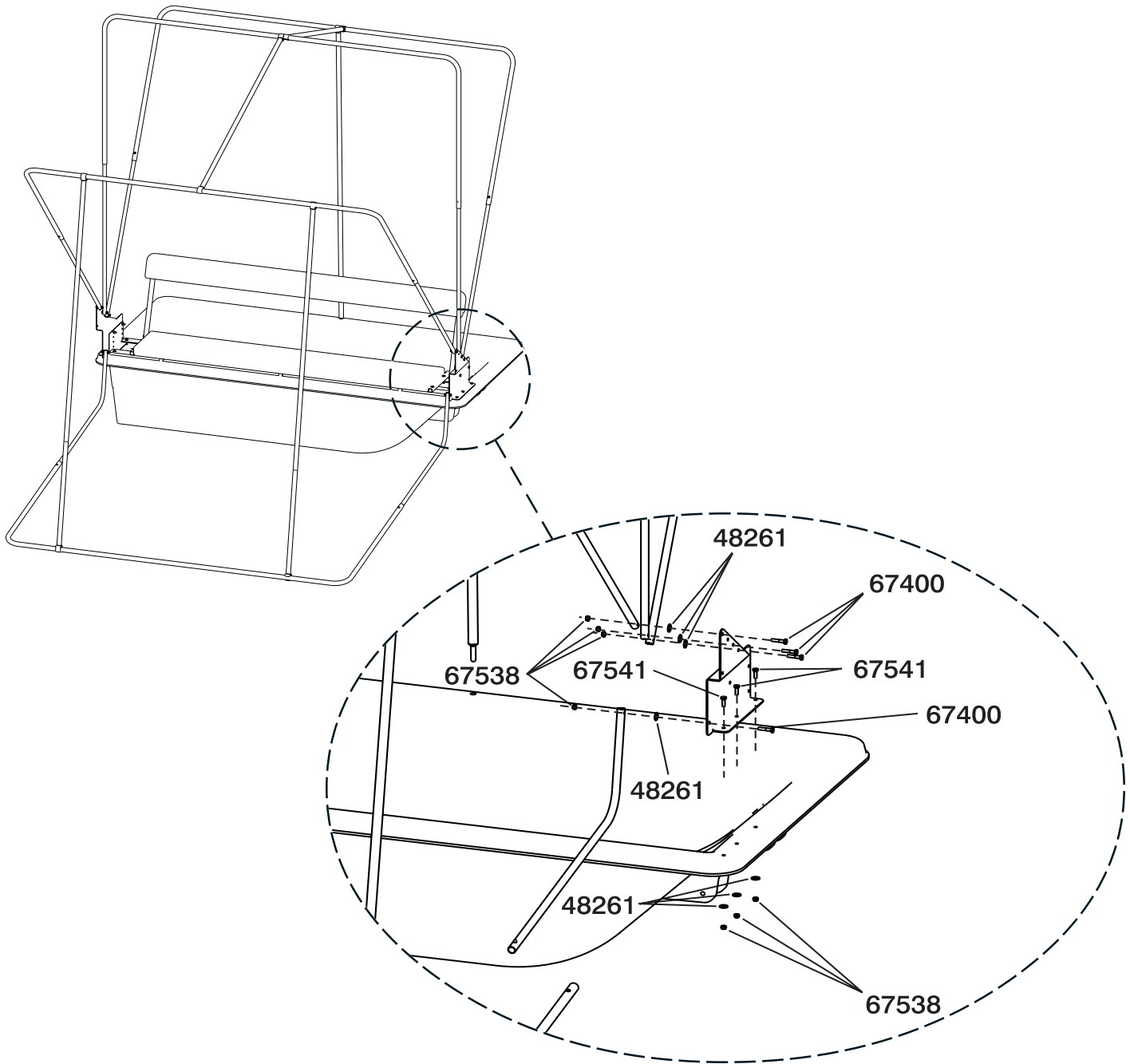
GRAND CARAVAN PARTS EXPLOSION & PARTS LIST



<u>Part No.</u>	<u>Description</u>	<u>Qty.</u>	<u>Part No.</u>	<u>Description</u>	<u>Qty.</u>
67163	Grand Caravan Sled	1	69225	Back Spreader Pole	1
67501	Snap Button, 1/4"	10	69235	Top Front Spreader Pole	1
67589	Tow Rope	1	69300A	Rear Upright Pole	4
69100	Canvas (Not Shown)	1	69305A	Front Upright Pole	2
69124	Clip, 7/8"	7	69356	Door Spreader Pole, Bottom	2
69134	Clip, 706	2	69358	Door Spreader Pole, Top	2
69135	Stud	1	69529	Edge Trim (Not Shown)	1
69146	Bracket Hinge, Right	1	69531	Window Replacement, 8" x 12"	2
69147	Bracket Hinge, Left	1	69533	Window Replacement, 8" x 28"	1
69210	Front Leg Pole	2	69534	Window Replacement, 13.5" x 13.5"	1
69215	Top Brace Pole	3	69660	Sheet Metal Screw, #6 x 3/8"	13
69220	Bottom Brace Pole	1	69672	Top Back Spreader Pole	1



GRAND CARAVAN PARTS EXPLOSION & PARTS LIST



<u>Part No.</u>	<u>Description</u>	<u>Qty.</u>	<u>Part No.</u>	<u>Description</u>	<u>Qty.</u>
48261	Flat Washer, 1/4"	14	67538	Nyloc Nut, 1/4"	14
67400	Bolt, 1/4" x 1-1/4"	8	67541	Bolt, 1/4" x 7/8"	6



Ardisam, Inc.
1690 Elm Street, Cumberland, Wisconsin 54829
Phone (715)822-2415 • Fax (715)822-4180
1-800-345-6007
Email info@ardisam.com
www.ardisam.com