



# Ice Shelter Instruction Booklet



**Model**  
**69132 Quick Hut**



# INTRODUCTION

---

## THANK YOU . . .

*for purchasing an Eskimo® Ice Shelter from Ardisam, Inc. With proper care, your ice shelter will provide many years of service. Please take the time to read this booklet carefully to learn how to correctly assemble your ice shelter. Congratulations on your investment in quality.*

## SAFETY & MAINTENANCE INSTRUCTIONS

- Do not use open flame heaters in your ice shelter.
- Due to traffic on lakes, ice fishing can be hazardous at night. If you choose to fish at night or in conditions with poor visibility, be sure to take precautions.
- Never leave the ice shelter unattended.
- Lubricate the slide poles with car wax when necessary. Do not use oil or grease as a lubricant.

## LONG TERM STORAGE

- Make sure your Eskimo® shelter is completely dry before storing for long periods of time.
- Remove skin from shelter base and poles. Clean all salt, moisture and debris from your shelter skin.
- Store skin in a cool, dry place away from rodents.
- Clean all salt, moisture and debris from the base and poles of your shelter. Wipe down poles with WD-40.
- Store poles and base in a cool, dry place.

**NOTE: Before attaching skin for use, re-wipe the poles to remove excess WD-40.**



# REGISTRATION AND WARRANTY

## REGISTRATION

Fill out and mail the registration card located in your parts packet. Warranty is valid only if your completed registration card is received by Ardisam, Inc., at time of purchase.

Model Number \_\_\_\_\_

Date of Purchase \_\_\_\_\_

Place of Purchase \_\_\_\_\_

## WARRANTY

### One Year Limited Warranty

The Ardisam, Inc., Manufacturing Company warrants this Eskimo® Ice Shelter to be free from defects in material or workmanship. Conditions of this warranty include:

**What is covered under warranty:**

Ardisam, Inc. will repair or replace any part defective in workmanship or material within one year after delivery of the ice shelter to the original purchaser.

**What is not covered under warranty:**

This warranty applies only to products which have not been repaired or altered outside our factory. It does not cover cracked windows, tent tears, or bent poles due to high wind conditions or unattended use. This warranty applies only to the original purchaser, and is not transferrable.

**How to obtain service:**

Return the product to us at the address below with transportation charges prepaid.

*This warranty supersedes all other warranties either expressed or implied and all other obligations or liabilities on our part. Ardisam, Inc., does not assume, and does not authorize any other person to assume for us, any liability in connection with the sale of our products.*

*This guarantee is void unless warranty card is properly filled out and returned to Ardisam, Inc., Cumberland, Wisconsin, at time of purchase.*



**Ardisam, Inc.**  
1690 Elm Street, Cumberland, WI 54829  
Phone (715) 822-2415 Fax (715) 822-4180  
1-800-345-6007  
Email [info@ardisam.com](mailto:info@ardisam.com)  
[www.ardisam.com](http://www.ardisam.com)



# QUICK HUT ASSEMBLY INSTRUCTIONS

Please fully understand all assembly, safety, and maintenance instructions outlined in this booklet.

## Tools Needed: (1) 3/8" wrench, (2) 7/16" wrenches & (1) phillips screwdriver

1. Insert (4) 1/4" x 3/4" bolts (69169), (4) nylon washers (48639) and (4) nuts (67538) in each corner of the sled. See Figure 1.

**NOTE: The nylon washer is mounted to the outside of the sled.**

2. Lay the assembled poles on the top lip of the sled with the wide end towards the trap door. See completed Quick Hut drawing.
3. Attach the assembled poles to the sled using (4) pipe straps (67119), (4) #10 x 5/8" bolts (69537), (8) washers (67509) & (4) nuts (53606). See Figure 2.

**NOTE: The two screws that are inserted on the wide bottom base support of the assembled poles should be placed to the inside of the pipe straps.**

4. Unfold the Quick Hut canvas cover (69276) and locate Eskimo® logo. Spread cover over sled and poles with door and logo placed on one of the longer sides of the sled.
5. Place elastic bottom edge of canvas around sled between the top lip and the nylon washers (48639) . See Figure 1.

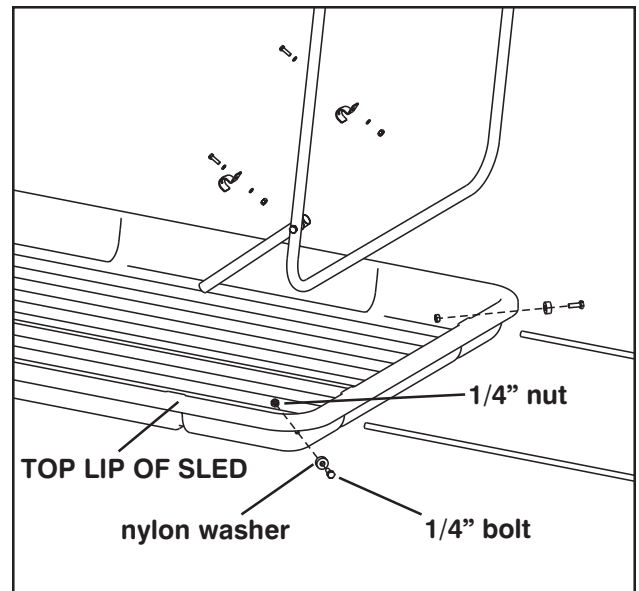


Figure 1

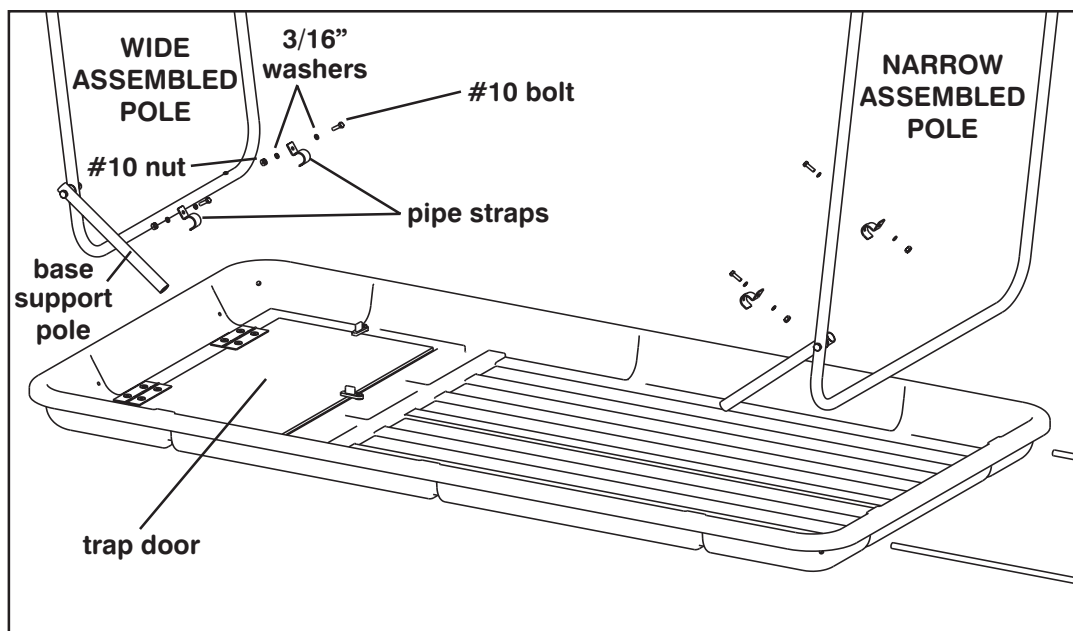


Figure 2



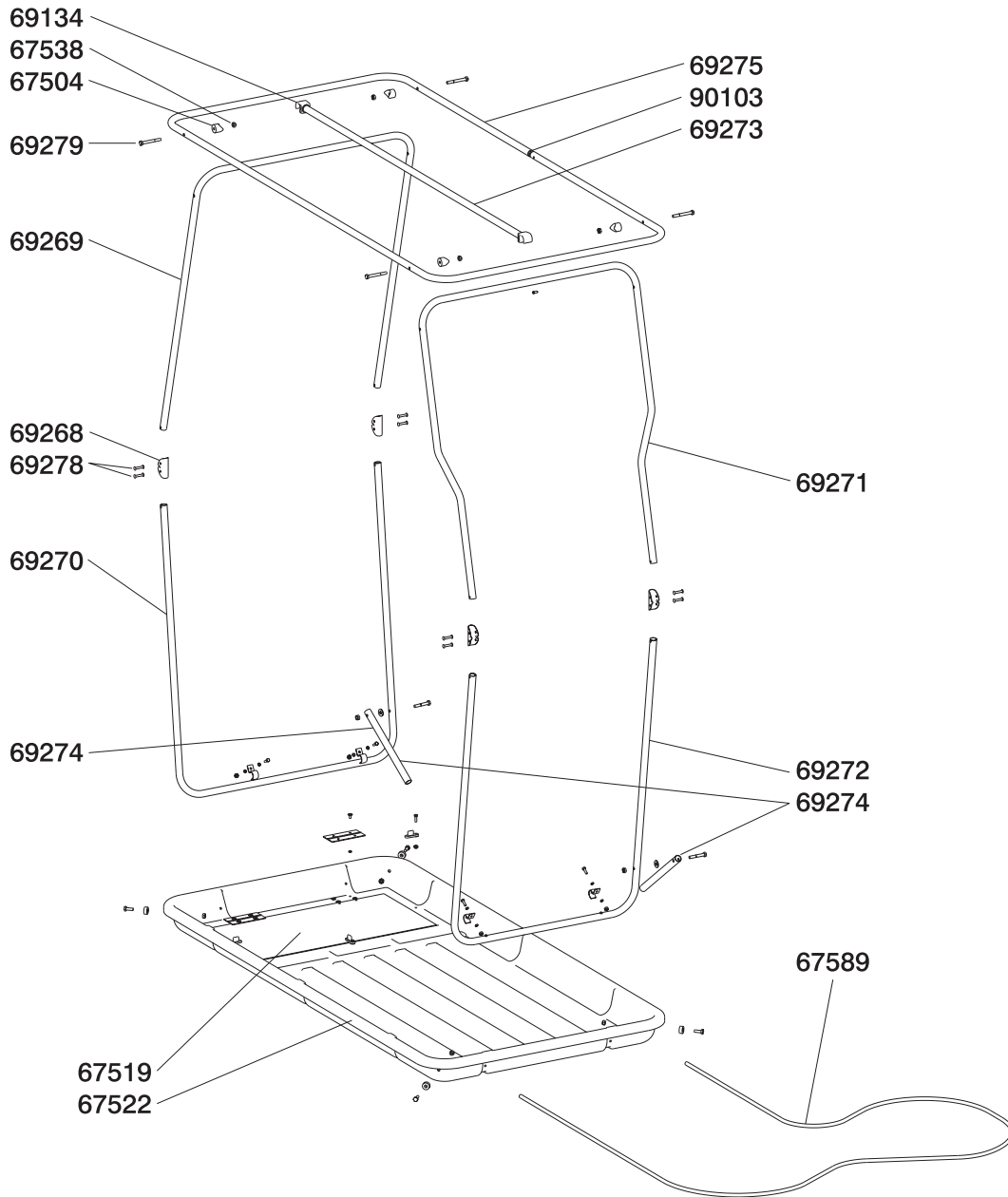
## QUICK HUT ASSEMBLY INSTRUCTIONS

---

6. Unzip door of the Quick Hut canvas cover. Pull up on the top roof rim (69275) of the assembled poles, push out on the top roof support poles (69269 & 69271) and bottom base support poles (69270 & 69272) until all four hinges are locked over center. See parts explosion and completed Quick Hut drawing.
7. Secure all assembled poles by placing both base support poles (69274) in their locking position. See Figure 2.
8. Snap top roof spreader pole (69273) into place. See completed Quick Hut drawing.
9. Move to the outside of the shelter. Line edge trim up with the center of the shelter on the door side. Temporarily press the edge trim over the canvas and the lip of the sled.
10. Repeat step 9 for opposite side of shelter.
11. Secure edge trim in place using (4) #6 screws x 3/8" (69629). (2 per side)  
**NOTE: Screws should be placed 1/2" from each end.**
12. Push ends of 8' tow rope (67589) thru holes provided and knot each end to secure.
11. To transport your ice shelter, remove top roof spreader pole, flip both base support poles up and pull over center hinges towards each other. Zip door and tuck canvas into sled. **Remove canvas from all pinch points.**



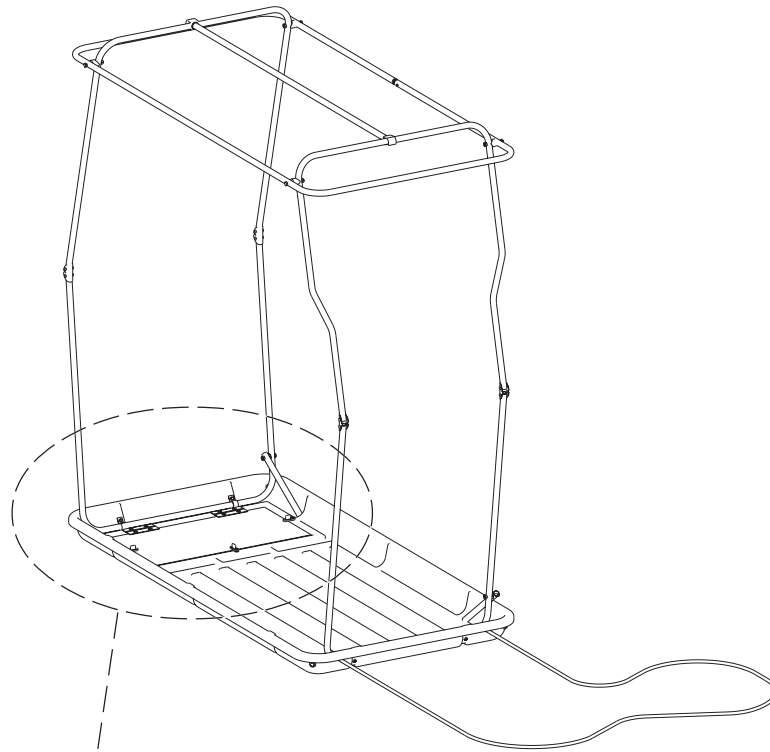
# QUICK HUT PARTS EXPLOSION & PARTS LIST



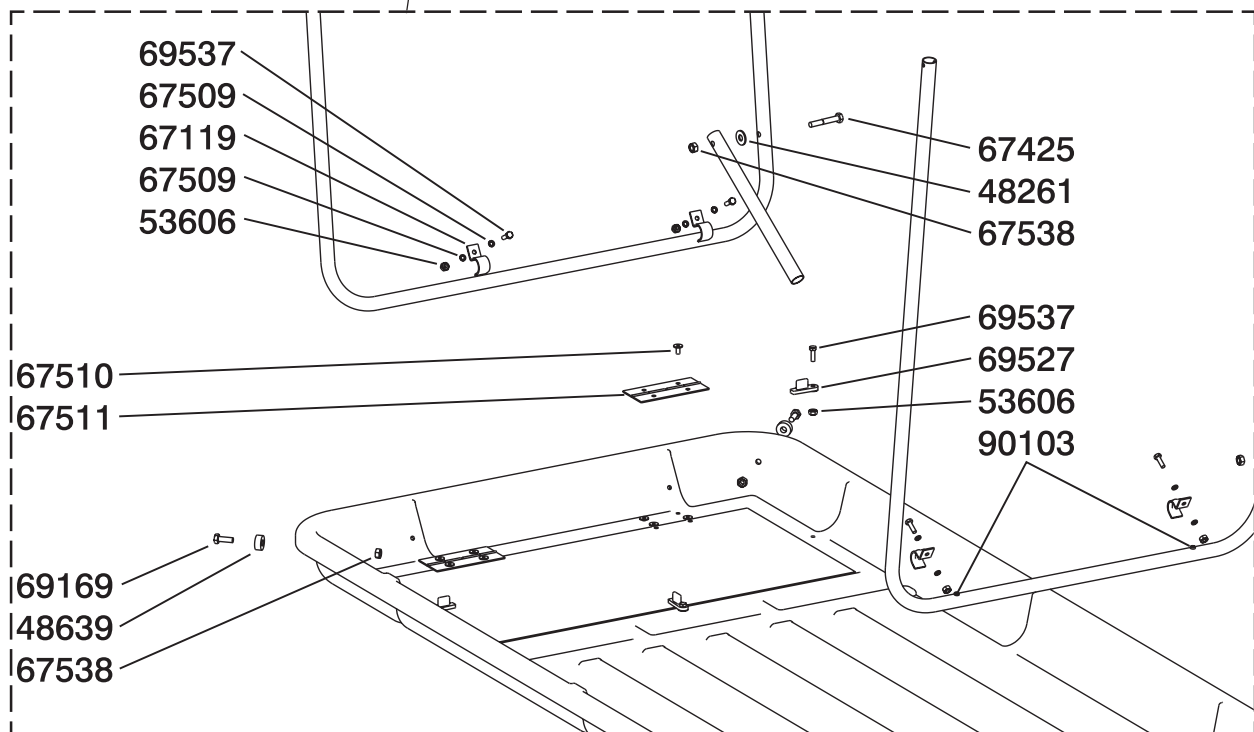
<u>Part No.</u>	<u>Description</u>	<u>Qty.</u>	<u>Part No.</u>	<u>Description</u>	<u>Qty.</u>
48261	Flat Washer, 1/4"	2	69268	Hinge, Over-Center	4
48639	Nylon Washer	4	69269	Top Roof Support, Wide	1
53606	Nyloc Nut, #10	7	69270	Bottom Base Support, Wide	1
67119	Pipe Strap	4	69271	Top Roof Support, Narrow	1
67425	Bolt, 1/4-20 x 1-3/4"	2	69272	Bottom Base Support, Narrow	1
67504	Stand-Off, 1/2"	4	69273	Top Roof Spreader Pole	1
67509	Washer, 3/16"	9	69274	Base Support Pole	2
67510	Rivet	9	69275	Roof Rim	1
67511	Hinge, Trap Door 4"	2	69276	Canvas Cover (not shown)	1
67519	Trap Door	1	69278	Rivet	8
67522	Base	1	69279	Bolt, 1/4-20 x 2-1/4"	4
67538	Nyloc Nut, 1/4"	10	69527	Single Wing Door Latch	3
67589	Rope	1	69537	Bolt, #10 x 5/8"	7
69134	Clip, 706	2	69629	Screw, #6 x 3/8"	4
69169	Bolt, 1/4-20 x 3/4"	4	90103	Screw, #10 x 1/2"	3



# QUICK HUT PARTS EXPLOSION & PARTS LIST



**Completed Quick Hut**



**Quick Hut hardware**



**Ardisam, Inc.**  
**1690 Elm Street, Cumberland, Wisconsin 54829**  
**Phone (715)822-2415 • Fax (715)822-4180**  
**1-800-345-6007**  
**Email [info@ardisam.com](mailto:info@ardisam.com)**  
**[www.ardisam.com](http://www.ardisam.com)**