

Aluminum Tri-fold ATV Ramp (AV103 & AV196)

Yukon Tracks offers a full line of Engineered Outdoor Gear. We appreciate your purchase of one of our world class ATV Ramps. Follow these few simple instructions and your product will be sure to give you many years of trouble free pleasure. Instructions should be kept in a safe place and reviewed at least annually.

If for any reason you have a problem with your product, **DO NOT return to the retailer**, contact the Yukon Tracks customer service department at 800-345-6007 for assistance.

ASSEMBLY INSTRUCTIONS:

1. Attach the two provided securing straps to the third cross tread from the tailgate end (one on each side of ramp). Wrap the loop end of each strap around the cross tread and thread the buckle and "S" hook end thru the loop. This permanently attaches straps to the ramp. **SEE FIGURE 1.**

USE INSTRUCTIONS:

TO LOAD YOUR 4-WHEELED ATV:

1. On level ground, open ramp completely and rest on tailgate, **SEE FIGURE 2.** Be sure ramp is centered on tailgate.
2. Hook the "S" hooks of both straps to bumper and pull on loose end of straps until straps are tightly holding ramp to tailgate. To remove, simply push the thumb release on strap buckle.
3. Using an electric or manual winch, draw the ATV up the ramps. **DO NOT drive the ATV up the ramps.**
4. Once vehicle is in truck bed, be sure to set brake & securely tie down vehicle. Ramp can now be removed, folded up, and stored.

TO UNLOAD YOUR 4-WHEELED ATV:

1. Reverse loading procedures to unload your ATV.

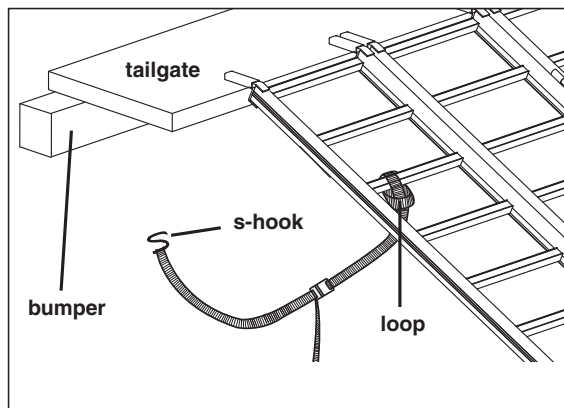


FIGURE 1

WARNING

READ, UNDERSTAND AND FOLLOW ALL ASSEMBLY, INSPECTION, & USE INSTRUCTIONS PROVIDED BEFORE EACH USE. FAILURE TO FOLLOW ALL INSTRUCTIONS, WARNINGS & LOAD CAPACITY RATING COULD RESULT IN SERIOUS INJURY OR DEATH.

IF ANY INSTRUCTIONS ARE NOT UNDERSTOOD OR IF YOU HAVE A PARTS ISSUE CALL 800-345-6007 BEFORE USING.

DO NOT USE AN ATV ON THIS RAMP IF THE ATV HAS SNOW CHAINS ON TIRES. CHAINS WILL CAUSE DAMAGE TO YOUR RAMP AND IS HAZARDOUS!

BE CAREFUL OF PINCH POINTS AT RAMP HINGE LOCATIONS.

BE CAREFUL OF PINCH POINTS AT RAMP TAB LOCATIONS WHILE SECURING RAMP TO TAILGATE.

THIS RAMP IS FOR USE WITH 4-WHEELED ATV'S ONLY. DO NOT USE WITH 2- OR 3-WHEELED VEHICLES OR VEHICLES EXCEEDING 1,250 LBS.

SAFETY STRAPS MUST BE SECURELY HOOKED UP TO VEHICLE TO PREVENT RAMP FROM SLIDING OFF TAILGATE. TEST BEFORE USING OR YOU COULD BE SERIOUSLY INJURED. BE SURE YOUR TRUCK IS IN PARK AND EMERGENCY BRAKE ENGAGED.

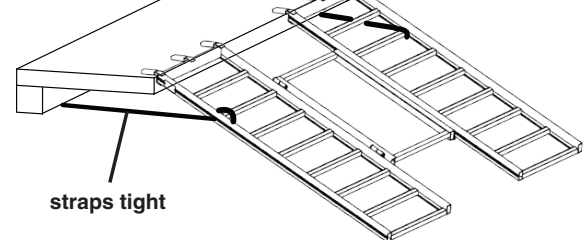
BE SURE 4-WHEELED ATV IS CENTERED ON RAMP. DO NOT USE WITH ANY VEHICLE THAT HAS WIDER TIRES THAN THE RAMP WIDTH.

MAXIMUM USABLE HEIGHT, GROUND TO LOADING POSITION, IS NO MORE THAN ONE HALF THE LENGTH OF THE RAMP.

BE SURE RAMP IS PROPERLY PLACED AND SECURED AS DESCRIBED IN LOADING INSTRUCTIONS.

DO NOT USE ON SOFT SURFACES OR UNLEVEL TERRAIN.

AV196



AV103

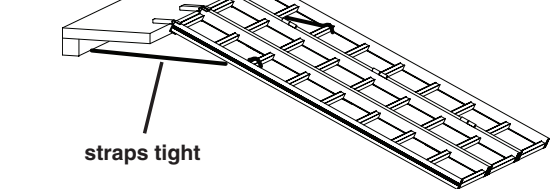


FIGURE 2

Aluminum Tri-fold ATV Ramp (AV103 & AV196)

ALWAYS...

- Use on level ground and securely attach ramp to truck.
- Be careful of pinch points at ramp hinge locations.
- Be careful of pinch points at ramp tab locations while securing ramp to tailgate.
- Use as 4-wheeled ATV ramp only.
- Inspect before each & every use to be sure there is no product damage or loose/missing bolts & hardware. Lubricate hinges as necessary.

NEVER...

- Exceed load capacity of 1,250 lbs, distributed over four wheels.
- Use a damaged ramp, replace with new
- Use while under the influence of alcohol or drugs.
- Load ATV on ramp with any gear on racks of ATV.
- Use with 2- or 3-wheeled vehicles.
- Use carelessly -- Think Safety!
- Use in slippery conditions.

RAMP COMPONENTS

- 48682 Rubber tab cover
- 48663 Ramp strap, complete

WARRANTY

Yukon Tracks, a division of Ardisam Incorporated, offers a one year limited warranty to be free from defects in materials and workmanship for the service life of the product, not to exceed twelve consecutive months from the date of purchase. This warranty applies to the original owner with a proof of purchase and is not transferable. This warranty applies only to products which have not been subjected to negligent use, misuse, alteration, accident or if repairs have been made by anyone outside our factory. This warranty supersedes all other warranties either expressed or implied and all other obligations or liabilities on our part. Ardisam, Inc., does not assume, and does not authorize any other person to assume for us, any liability in connection with the sale of our products. Warranty work must be sent directly to Ardisam, Inc. or one of our authorized service centers and performed by them. **To obtain warranty service and/or replacement instructions, you must have prior approval from Ardisam, Inc. before shipping your package to us by calling our customer service department at 800-345-6007 or by writing to: Ardisam, Inc., 1360 First Avenue, Cumberland, WI 54829 for a return material authorization number (RMA#).** All items must be shipped prepaid. Ardisam, Inc. will at no charge, repair or replace, at their discretion, any defective part which falls under the conditions stated above. Ardisam retains the right to change models, specifications and price without notice.

For replacement parts, phone 800-345-6007
or go online to www.GetYukonTracks.com.