

Yukon Tracks offers a full line of Engineered Outdoor Gear. We appreciate your purchase of one of our world class ATV Trailers. Follow these few simple instructions and your ATV Trailer will be sure to give you many years of trouble free pleasure. Instructions should be kept in a safe place and reviewed at least annually.

If for any reason you have a problem with your product, DO NOT return to the retailer, contact the Yukon Tracks customer service department at 800-345-6007 for assistance.

ASSEMBLY INSTRUCTIONS:

Tools needed -- two 7/16" wrenches, two 1/2" wrenches, 3/4" socket with ratchet and extension, needle nose pliers and a grease gun w/ fitting.

IMPORTANT ASSEMBLY TIP: Do not tighten any nut and bolt combinations completely until all parts are assembled together! Finger tighten plus one turn of a wrench only! This will temporarily hold the nyloc nut on the bolt while helping alignment of all parts! After all parts are assembled together, all nut & bolt combinations can be completely tightened.

1. Insert rear tongue tube (TK81) to the welded-on "U"-bracket located on the axle tube (TK80) using (1) provided 5/16-18 x 2-3/4" bolt, nyloc nut and 5/16" washer. **SEE FIGURE 1.**
2. Attach the front trailer tongue (300717) to the rear tongue using (2) provided 5/16-18 x 4" bolts, nyloc nuts and (4) 5/16" washers. Be sure both the front and rear tongue are aligned before tightening. **SEE FIGURE 1.**

NOTE: Front tongue does not go inside rear tongue. Front tongue bolts on top of rear tongue.

3. Slide the axle plate (300705) over the short end of axle spindle (TK48). Thread the short end of axle spindle into the axle tube until tight. Back off the axle spindle until holes are aligned and secure using (1) provided 1/4-20 x 1-3/4" bolt and nyloc nut. **SEE FIGURE 1.** Repeat this step for the other side.

FOR TRAIL WARRIOR X2 (Model AV158)

4. Support the trailer far enough off the ground for the assembly of the wheels. Slide the wheel onto the threaded axle spindle with grease fitting facing outward. Secure in place following this order: 3/4" washer, 3/4" crown nut and cotter pin. Back crown nut off just enough so wheel spins freely and crown nut slot aligns with hole in threaded axle spindle. Insert cotter pin. Using a needle nose pliers, bend cotter pin ears around so it will not come off the axle spindle. Repeat this step for remaining wheel. **SEE FIGURE 1.**

IMPORTANT NOTE: You must grease the bearings of each wheel. Using a grease gun, pump high quality grease into the bearings by attaching to grease fitting located on wheel hub. Check the grease level frequently to prevent bearings from seizing.

WARNING

READ, UNDERSTAND AND FOLLOW ALL ASSEMBLY, INSPECTION, MAINTENANCE & USE INSTRUCTIONS PROVIDED BEFORE EACH USE. FAILURE TO FOLLOW ALL WARNINGS AND INSTRUCTIONS COULD RESULT IN SERIOUS INJURY OR DEATH.

BE SURE TO FOLLOW ALL INSTRUCTIONS PROVIDED. IF ANY INSTRUCTIONS ARE NOT UNDERSTOOD OR IF YOU HAVE A PARTS ISSUE CALL 800-345-6007 BEFORE USING.

THE WHEEL BEARINGS ARE NOT FACTORY GREASED. YOU MUST GREASE THE BEARINGS BEFORE USE. CHECK GREASE LEVEL FREQUENTLY TO PREVENT BEARINGS FROM SEIZING.

DOUBLE CHECK THE ASSEMBLY OF YOUR TRAILER TO BE SURE YOU ASSEMBLED IT CORRECTLY AND ALL NUT & BOLT ASSEMBLIES ARE TIGHT BEFORE INITIAL USE.

BE SURE TO PERIODICALLY CHECK ALL NUT AND BOLTS FOR TIGHTNESS. OVER TIME, NUTS AND BOLTS MAY BECOME LOOSE FROM VIBRATION.

BE SURE TO ALWAYS HAVE THE CORRECT AMOUNT OF AIR PRESSURE IN TIRES. THIS WILL HELP DETER FROM UNNECESSARY WEAR AND/OR DAMAGE.

NEVER DRIVE ON HILLY TERRAIN- EXCESSIVE WEIGHT CAN CAUSE WEIGHT SHIFTS WHICH CAN LEAD TO LOSS OF CONTROL OF YOUR ATV AND/OR ATV TRAILER.

DO NOT DRIVE IN EXCESS OF 10 MPH WHILE USING THIS PRODUCT.

NEVER ALLOW PEOPLE OR ANIMALS TO RIDE IN THE ATV TRAILER! IT IS NOT DESIGNED FOR THAT MATTER.

USE CAUTION NEAR TRAILER TILT LATCH. BE SURE LATCH IS ENGAGED BEFORE EACH USE.

NEVER EXCEED THE MAXIMUM WEIGHT CAPACITY OF 1250 LBS. OF EVENLY DISTRIBUTED WEIGHT.

OPTIONAL ACCESSORIES

AV112 Ball Hitch Kit

AV191 Extreme Tracking Beam Kit (for AV158 only)

Trail Warrior X2 ATV Trailer (AV158), Trail Warrior X4 ATV Trailer (AV159)

FOR TRAIL WARRIOR X4 (Model AV159)

- Support the trailer far enough off the ground for the assembly of the Extreme Tracking Beam and wheels. Slide the Extreme tracking beam onto the threaded axle spindle with grease fitting facing upward. Secure in place following this order: 3/4" washer, 3/4" crown nut and cotter pin. Back crown nut off just enough so tracking beam will pivot freely and crown nut slot aligns with hole in threaded axle spindle. Insert cotter pin. Using a needle nose pliers, bend cotter pin ears around so it will not come off the axle spindle. Repeat this step for remaining tracking beam. **SEE FIGURE 2.**
- Slide the wheel onto the threaded axle spindle of tracking beam with grease fitting facing outward. Secure in place following this order: 3/4" washer, 3/4" crown nut and cotter pin. Back crown nut off just enough so wheel spins freely and crown nut slot aligns with hole in threaded axle spindle. Insert cotter pin. Using a needle nose pliers, bend cotter pin ears around so it will not come off the axle spindle. Repeat this step for remaining three wheels. **SEE FIGURE 2.**

IMPORTANT NOTE: You must grease the bearings of each wheel. Using a grease gun, pump high quality grease into the bearings by attaching to grease fitting located on wheel hub. Check the grease level frequently to prevent bearings from seizing.

FOR BOTH MODELS

- Attach the front trailer frame (300713) to the axle plates using (2) provided 1/4-20 x 1/1-2 bolts, (2) 1/4-20 x 1-3/4" bolts, (4) nyloc nuts and (4) 1/4" washers. **SEE FIGURE 1.** Latch the front trailer frame to the latch located on trailer tongue to hold in place.
- Attach the rear trailer frame (300710) to the axle plates using (2) provided 1/4-20 x 1/1-2 bolts, (2) 1/4-20 x 1-3/4" bolts, (4) nyloc nuts and (4) 1/4" washers. **SEE FIGURE 1.**
- Attach front trailer frame and the rear trailer frame together using (2) provided 1/4-20 x 2" bolts, (2) 1/4-20 x 2-1/2" bolts, (4) nyloc nuts and (8) 1/4" washers. **SEE FIGURE 1. You may now tighten all nut & bolt assemblies. Be sure not to over tighten or crush tubing when tightening!**
- Slide the removable tailgate (300704) into the slots of rear trailer frame. Slide the removable side rails (300700 & 300701) into the top side of front and rear trailer frames. **SEE FIGURE 1.**

NOTE: The side rail that goes in the front of trailer frame is narrower than the others.

USE INSTRUCTIONS:

- To use the tilt/pivot feature, simply unlatch the latch located on trailer tongue. This will allow you to tilt the trailer frame upward to unload. If pivoting is desired, simply unlatch the latch and turn the trailer frame to the desired location, left or right, and tilt trailer frame upward to unload. This feature works well when in tight areas. Or if backing up your trailer is not an option, simply drive along side desired unloading area, unlatch the trailer frame and turn trailer frame to desired location.

ALWAYS...

- Be sure the trailer is securely attached to ATV hitch.
- Check tires for correct air pressure before each use.
- Use as 4-wheeled ATV trailer only.
- Inspect before each & every use to be sure there is no product damage or loose/missing bolts & hardware.
- Have wheel bearings properly greased to avoid bearings from seizing.

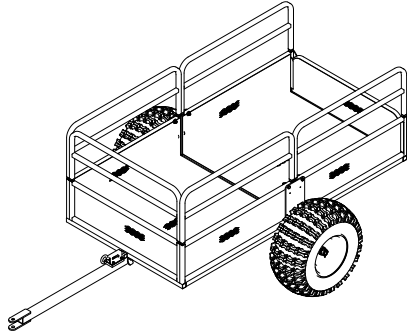
NEVER...

- Use excessive speeds while towing trailer.
- Exceed the maximum load capacity of 1250 lbs.
- Allow people or animals to ride in trailer.
- Use on hilly terrain.
- Use a damaged product.
- Use when intoxicated or using over-the-counter medication or prescription drugs.
- Use on rocky or obstacle ridden terrain.
- Use carelessly -- Think Safety!

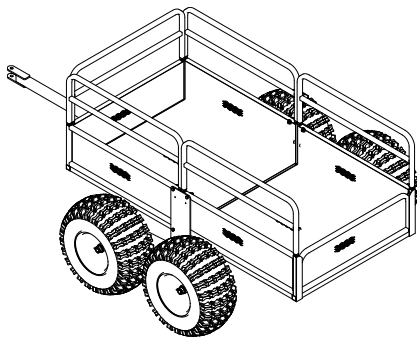
WARRANTY

Yukon Tracks, a division of Ardisam Incorporated, offers a one year limited warranty to be free from defects in materials and workmanship for the service life of the product, not to exceed twelve consecutive months from the date of purchase. This warranty applies to the original owner with a proof of purchase and is not transferable. This warranty applies only to products which have not been subjected to negligent use, misuse, alteration, accident or if repairs have been made by anyone outside our factory. This warranty supersedes all other warranties either expressed or implied and all other obligations or liabilities on our part. Ardisam, Inc., does not assume, and does not authorize any other person to assume for us, any liability in connection with the sale of our products. Warranty work must be sent directly to Ardisam, Inc. or one of our authorized service centers and performed by them. **To obtain warranty service and/or replacement instructions, you must have prior approval from Ardisam, Inc. before shipping your package to us by calling our customer service department at 800-345-6007 or by writing to: Ardisam, Inc., P.O. Box 666, 1690 Elm Street, Cumberland, WI 54829 for a return material authorization number (RMA#).** All items must be shipped prepaid. Ardisam, Inc. will at no charge, repair or replace, at their discretion, any defective part which falls under the conditions stated above. Ardisam retains the right to change models, specifications and price without notice.

**For replacement parts, phone 800-345-6007
or go online to www.GetYukonTracks.com.**



AV158 Trail Warrior X2 ATV Trailer assembled



AV159 Trail Warrior X4 ATV Trailer assembled

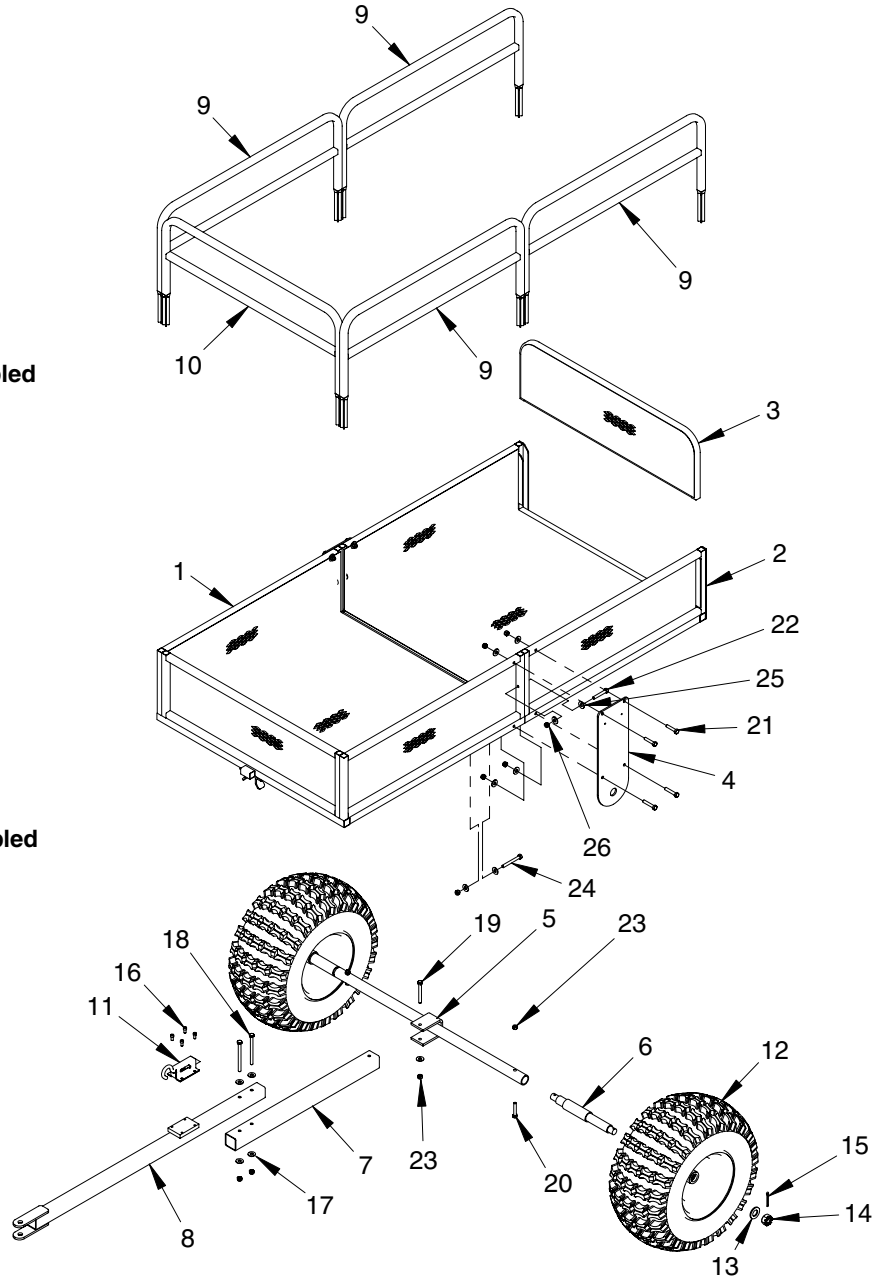


FIGURE 1

Model AV191 Tracking Beam Kit

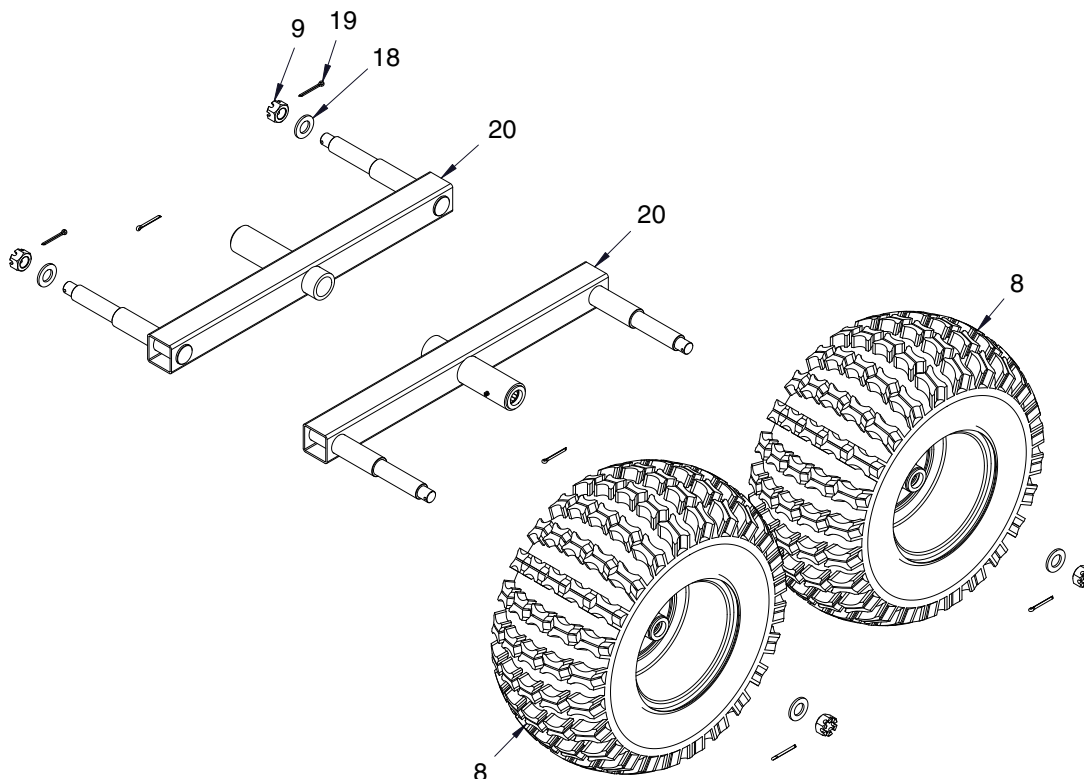


FIGURE 2

KEY #	PART #	DESCRIPTION	QTY.
1	300713	FRONT TRAILER WELDMENT	1
2	300710	REAR TRAILER WELDMENT	1
3	300704	TAILGATE WELDMENT	1
4	300705	SPLICE PLATE & AXLE MOUNT	2
5	TK80	AXLE TUBE, THREADED	1
6	TK48	SHAFT, THREADED AXLE	2
7	TK81	REAR TONGUE	1
8	300717	FRONT TONGUE WELDMENT	1
9	300700	SIDE RACK	4
10	300701	FRONT RACK	1
11	TK31	LATCH	1
12	TK78	TIRE/WHEEL ASSEMBLY	2
13	4159	WASHER, SPINDLE 3/4"	2
14	4157	NUT, CASTLE 3/4" RETAINER	2
15	4155	PIN, COTTER 5/32 X 1-1/2"	2
16	TK46	BOLT, SHCS 1/4-20 X 1/2"	4
17	WF516	WASHER, FLAT 5/16"	5

KEY #	PART #	DESCRIPTION	QTY.
18	4166	BOLT, HH 5/16-18 X 4" GR5	2
19	53610	BOLT, HHCS 5/16-18 X 2-3/4" GR5	1
20	48250B	BOLT, HHCS 1/4-20 X 1-3/4" GR5 BLK	6
21	48240B	BOLT, HHCS 1/4-20 X 1-1/2" GR5 BLK	4
22	48153B	BOLT, HHCS 1/4-20 X 2" GR5 BLK	2
23	60G5NY	NUT, NYLOC 5/16-18	3
24	48270B	BOLT, HHCS 1/4-20 X 2-1/2" GR5 BLK	2
25	48261B	WASHER, FLAT 1/4" BLK	16
26	67538B	NUT, NYLOC 1/4" BLK	14
MODEL AV191 TRACKING BEAM KIT*			
12	TK78	TIRE/WHEEL ASSEMBLY	2
13	4159	WASHER, SPINDLE 3/4"	4
14	4157	NUT, CASTLE 3/4" RETAINER	4
15	4155	PIN, COTTER 5/32 X 1-1/2"	6
27	300721	TRACKING BEAM	2

*Only two tires and four castle nuts are supplied with kit due to trailer coming with two tires and two castle nuts.