



Perfect Aim™ Universal Trail Camera Mount (AV192), Ground Camera Mount (AV193)

Yukon Tracks offers a full line of Engineered Outdoor Gear. We appreciate your purchase of one of our world class Perfect Aim™ Trail Camera Mounts. Follow these few simple instructions and your product will be sure to give you many years of trouble free pleasure. Instructions should be kept in a safe place and reviewed at least annually.

If for any reason you have a problem with your product, **DO NOT return to the retailer**, contact the Yukon Tracks customer service department at 800-345-6007 for assistance.

ASSEMBLY INSTRUCTIONS:

1. Center the stud on ball swivel and lock in place using provided knob bolt (48741). Slowly thread mounting plate (48493) onto the stud protruding of ball swivel until it is tight. **SEE FIGURE 1.**
2. a. Attach your trail camera to the mounting plate using (4) provided 10-24 x 3" phillips head screws, washers and wing nuts. Choose any of the holes/slots that align best with the mounting options you camera has.
 b. The slide bar (48494) will work with some camera models as a locking bar. Slide bar runs through strap brackets on the back of some cameras and through the formed slots of mounting plate. Lock slide bar with pad lock (not included) to deter from theft. Learn about more security options in the maintenance and security section.
 c. Use (2) provided bungee cords with hooks (48052) if additional mounting is desired by stretching bungee cord around front of camera and hooking the two hooks together behind the mounting plate.

USE INSTRUCTIONS

For Tree Camera Mount Model AV192:

1. a. Using the screw anchor (48496) attach the tree mount weldment (48500) to the tree by putting screw anchor through hole provided on tree mount. Slowly screw the anchor into the tree completely so that all four points of tree mount are firmly contacting tree and the washer of anchor is seated completely against tree mount plate.
 b. If desired, you may attach the tree mount to desired tree using provided cam strap by feeding strap through provided slots on tree mount. Hook S-hook to webbing loop on other end of strap and pull long strap tight so that all four points of tree mount are firmly contacting tree.

NOTE: For either option, the tighter the mount is on the tree, the less movement you will get which will lead to better wildlife photos.

2. Mount the Perfect Aim to any type of tree or fence post. Align plate accordingly and tighten the knob bolt on ball swivel mechanism to get the Perfect Aim on your wildlife. Here are some suggestions:
 - Place the Perfect Aim at a higher elevation for a downward angle picture.
 - Use a cluster of trees for added concealment.
 - Remember, you have 360 degrees of turn and 80 degrees of tilt. You can also turn the mount 90 degrees for a different picture profile.

WARNING

READ, UNDERSTAND AND FOLLOW ALL ASSEMBLY, INSPECTION, MAINTENANCE & USE INSTRUCTIONS PROVIDED BEFORE EACH USE. IF ANY INSTRUCTIONS ARE NOT UNDERSTOOD OR IF YOU HAVE A PARTS ISSUE CALL 800-345-6007 BEFORE USING.

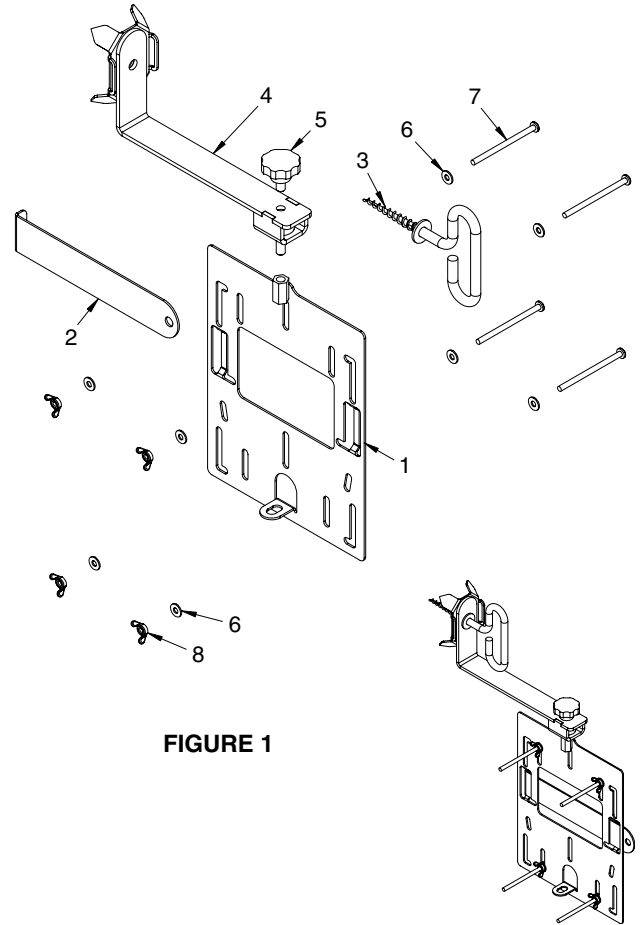


FIGURE 1

AV192 Perfect Aim Trail Camera Mount assembled

KEY #	PART #	DESCRIPTION	QTY.
1	48493	PLATE, CAMERA MOUNT	1
2	49494	PIVOT BAR	1
3	48497	TREE SCREW	1
4	48500	TREE MOUNT	1
5	48741	BOLT, KNOB 5/16-18 X 1/2"	1
6	48503	WASHER, FLAT #10	8
7	48502	SCREW, PHMS 10-24 X 3"	4
8	48501	NUT, WING 10-24	4



USE INSTRUCTIONS

For Ground Camera Mount Model AV193:

1. Insert short end of ground stake (48484) into the bottom end of ground stake riser (48485) and secure in place with provided knob bolt (48741). **SEE FIGURE 2.**
2. Insert ground stake riser extension (48487) into the top end of ground stake riser and secure in place with provided knob bolt. **SEE FIGURE 2.**
3. Using foot peg on the ground stake riser, carefully step the ground stake into the ground completely until foot peg is firmly against the ground. Redo this as necessary to achieve a firm seat into the ground.
4. Adjust ground stake riser extension to desired height and secure in place by tightening provided knob bolt. Adjustment height has a range from 30" to 52".

NOTE: For compact transport, slide ground stake riser extension fully into ground stake riser. Also, remove the ground stake and turn around to slide long end of stake into ground stake riser.

5. Align plate accordingly and tighten the knob bolt on ball swivel mechanism to get the Perfect Aim on your wildlife. Here are some suggestions:
 - Place native brush around the ground mount for added concealment and natural look.
 - Remember, you have 360 degrees of turn and 80 degrees of tilt.

MAINTENANCE AND SECURITY

- Always keep the ball swivel mechanism well lubricated for smooth movement and to prevent seizing or rusting. Use any type of grease, spray lubricant or powder graphite to help prevent unnecessary damage.
- Do not leave outdoors when not in use. Prolonged exposure to the elements may progress any type of wear or cause unnecessary damage. Store indoors when not in use.
- Tree mount may be locked in two ways. One option is to use the slide bar as a way to lock your camera to the mounting plate. This option only works if the back of the camera has the slots for the locking bar to slide through. Another option is to use a cable lock to lock the mount to the tree. Simply feed cable through slot located on tree mount weldment and through the slot/tab located on bottom of camera plate. Use your best judgment to prevent the theft of your trail camera and/or the Perfect Aim camera mount.

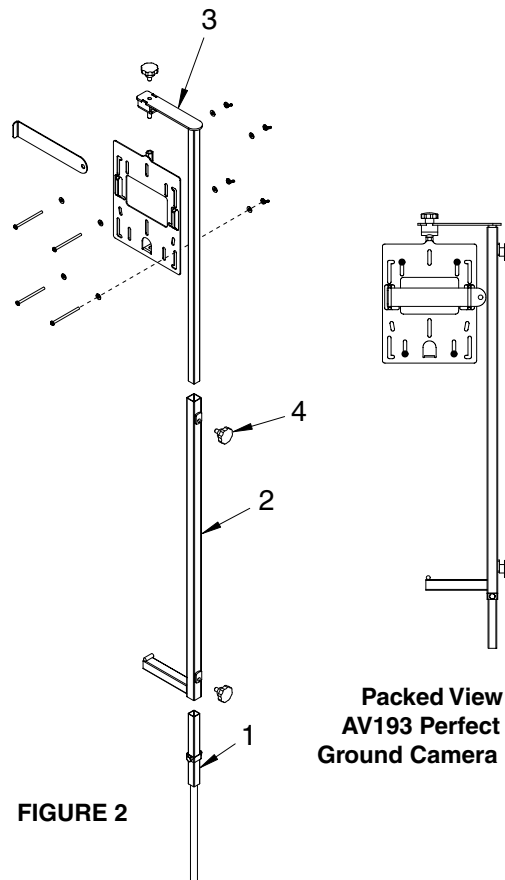


FIGURE 2

Packed View of AV193 Perfect Aim Ground Camera Mount

KEY #	PART #	DESCRIPTION	QTY.
1	48484	GROUND STAKE	1
2	48485	RISER, GROUND STAKE	1
3	48487	EXTENSION, RISER	1
4	48741	BOLT, KNOB 5/16-18 X 1/2"	3

WARRANTY

Yukon Tracks, a division of Ardisam Incorporated, offers a one year limited warranty to be free from defects in materials and workmanship for the service life of the product, not to exceed twelve consecutive months from the date of purchase. This warranty applies to the original owner with a proof of purchase and is not transferable. This warranty applies only to products which have not been subjected to negligent use, misuse, alteration, accident or if repairs have been made by anyone outside our factory. This warranty supersedes all other warranties either expressed or implied and all other obligations or liabilities on our part. Ardisam, Inc., does not assume, and does not authorize any other person to assume for us, any liability in connection with the sale of our products. Warranty work must be sent directly to Ardisam, Inc. or one of our authorized service centers and performed by them. **To obtain warranty service and/or replacement instructions, you must have prior approval from Ardisam, Inc. before shipping your package to us by calling our customer service department at 800-345-6007 or by writing to: Ardisam, Inc., P.O. Box 666, 1690 Elm Street, Cumberland, WI 54829 for a return material authorization number (RMA#).** All items must be shipped prepaid. Ardisam, Inc. will at no charge, repair or replace, at their discretion, any defective part which falls under the conditions stated above. Ardisam retains the right to change models, specifications and price without notice.

For replacement parts, phone 800-345-6007
or go online to www.GetYukonTracks.com.